

## Non-incendive



## For Sanitary Valve Applications

Agency Approvals: NEMA 4, 4X

## Non-incendive

Class I, Div. 2; Groups A, B, C, D;  
Class II, Div. 2; Groups F, G

## Product Overview

The Pharma II Compact Control Monitor for sanitary diaphragm valve monitoring and control incorporates new design features that meet the challenges of modern pharmaceutical and biotech facility applications. Its low profile and tool-free access make it ideal for short bend radius installations. The Pharma II utilizes a patent pending, self-setting limit switch assembly, engineered to reduce nuisance alarms and false trips created by changes in valve seat durometer. The switch assembly contains hermetically sealed bifurcated switches whose snap-action and self-cleaning functionalities make them ideal for use with high or low current switching of inductive and resistive loads. Zero leakage current means excellent performance in modern, low current I/O systems. The patent-pending, self-setting High Definition Visual Indicator provides a 360° view up to 100 feet away, and the modular design allows the easy addition of our puck-style solenoid valve base. The Pharma II solenoid pilot valve employs lapped-spool technology for proven reliability and minimal maintenance.

## Features

- Compact 3.39" height (without solenoid)
- Modular
  - Base plate mounted Puck solenoid with QuickSwap twist lock installation
  - QuickSwap conventional and network electronic modules
- Designed for simple installation and maintenance
  - No tool enclosure entry
  - Screw on lid
  - Easy access to terminal strip for internal wiring
  - Modular design allows the quick change out of electronics/switch module or solenoid.
- Compatible with all valve stroke sizes and all manufacturers products



**1 High Definition Visual Indicator** The patent pending design of the HDVI allows 360° viewing from up to 100 feet away. The HDVI is also self-setting for all stroke lengths and is incorporated as an integral part of the screw top, easy access enclosure.

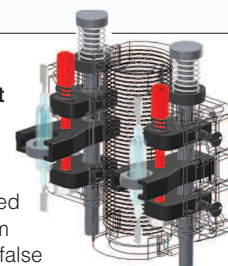
**2** Hermetically sealed bifurcated dry contact switch elements.

**3** Tool-free access with screw top cover

**4 Self-Setting Limit Switches** Patent pending self-setting position limit switch assembly is engineered to reduce control room nuisance alarms and false trips created by changes in seat durometer.

**5 Solenoid Spool Design** Lapped spool design for proven reliability

Integrated puck style base mounted solenoid

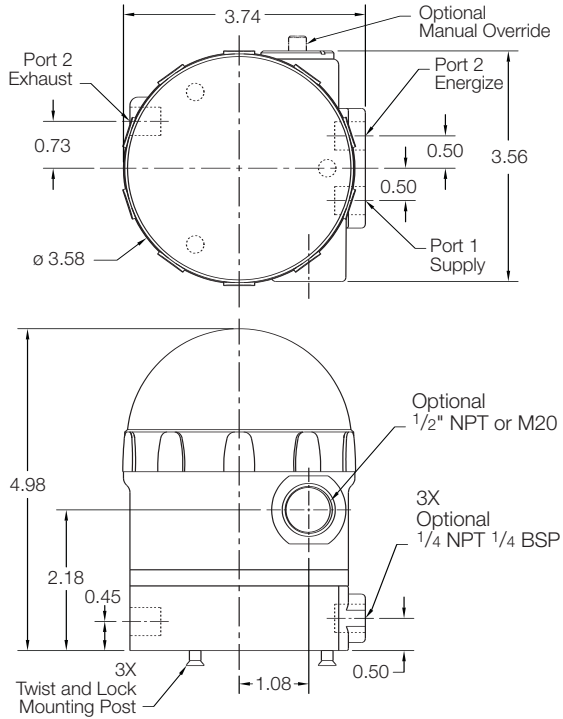


# Westlock™ Pharma II 99P2

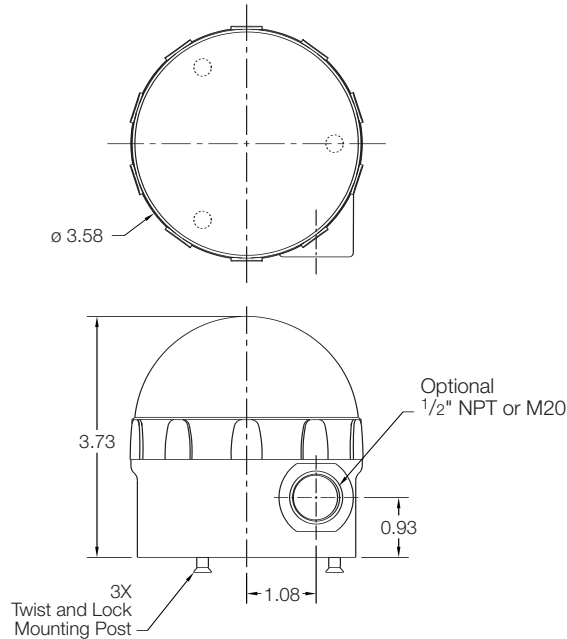
Compact Diaphragm Control Monitor for Conventional I/O

## Non-incendive

### P2 with Solenoid Valve Dimensions



### P2 without Solenoid Valve Dimensions



## Ordering Guide

### Base Model

99P2 Pharma II

#### Conduit Size

- 1A One 1/2" NPT(F)
- 1C One M20

#### Solenoid Coil Voltage

- 0 None
- D 24 VDC
- A 120 VAC

#### Spool Valve

- 000 None
- 550 0.5 C<sub>v</sub>, Delrin®

#### Override Option

- 0 None
- L Locking

99P2 1A D 550 L = Model Number **99P21AD000L**

Note: Mounting kits sold separate, consult factory for prices and part numbers for mounting kits.

#### Note

1. Delrin® is a registered trademark of E.I. du Pont de Nemours and Company.

**Main Office,** Saddle Brook, NJ  
Ph: 201-794-7650  
Dedicated Order Fax: 201-794-4790  
General Fax: 201-794-0913

**Europe,** Kent, England  
Ph: 011-44-189-251-6277  
Fax: 011-44-189-251-6279

**South America,** Banucri, Sao Paulo,  
Ph: 11-55-11-4191-0930  
Fax: 011-55-11-4191-0931

Tyco Flow Control (TFC) provides the information herein in good faith but makes no representation as to its comprehensiveness or accuracy. This data sheet is intended only as a guide to TFC products and services. Individuals using this data sheet must exercise their independent judgment in evaluating product selection and determining product appropriateness for their particular purpose and system requirements. TFC MAKES NO REPRESENTATIONS OR WARRANTIES, EITHER EXPRESS OR IMPLIED, INCLUDING WITHOUT LIMITATION ANY WARRANTIES OF MERCHANTABILITY OR FITNESS FOR A PARTICULAR PURPOSE WITH RESPECT TO THE INFORMATION SET FORTH HEREIN OR THE PRODUCT(S) TO WHICH THE INFORMATION REFERS. ACCORDINGLY, TFC WILL NOT BE RESPONSIBLE FOR DAMAGES (OF ANY KIND OR NATURE, INCLUDING INCIDENTAL, INDIRECT, OR CONSEQUENTIAL DAMAGES) RESULTING FROM THE USE OF OR RELIANCE UPON THIS INFORMATION. Patents and Patents Pending in the U.S. and foreign countries. Tyco reserves the right to change product designs and specifications without notice.