

ASCO[®]

8290 Series

Angle Body Piston Valves

Broad range of pressure operated valves for
air, water, steam, and slurries

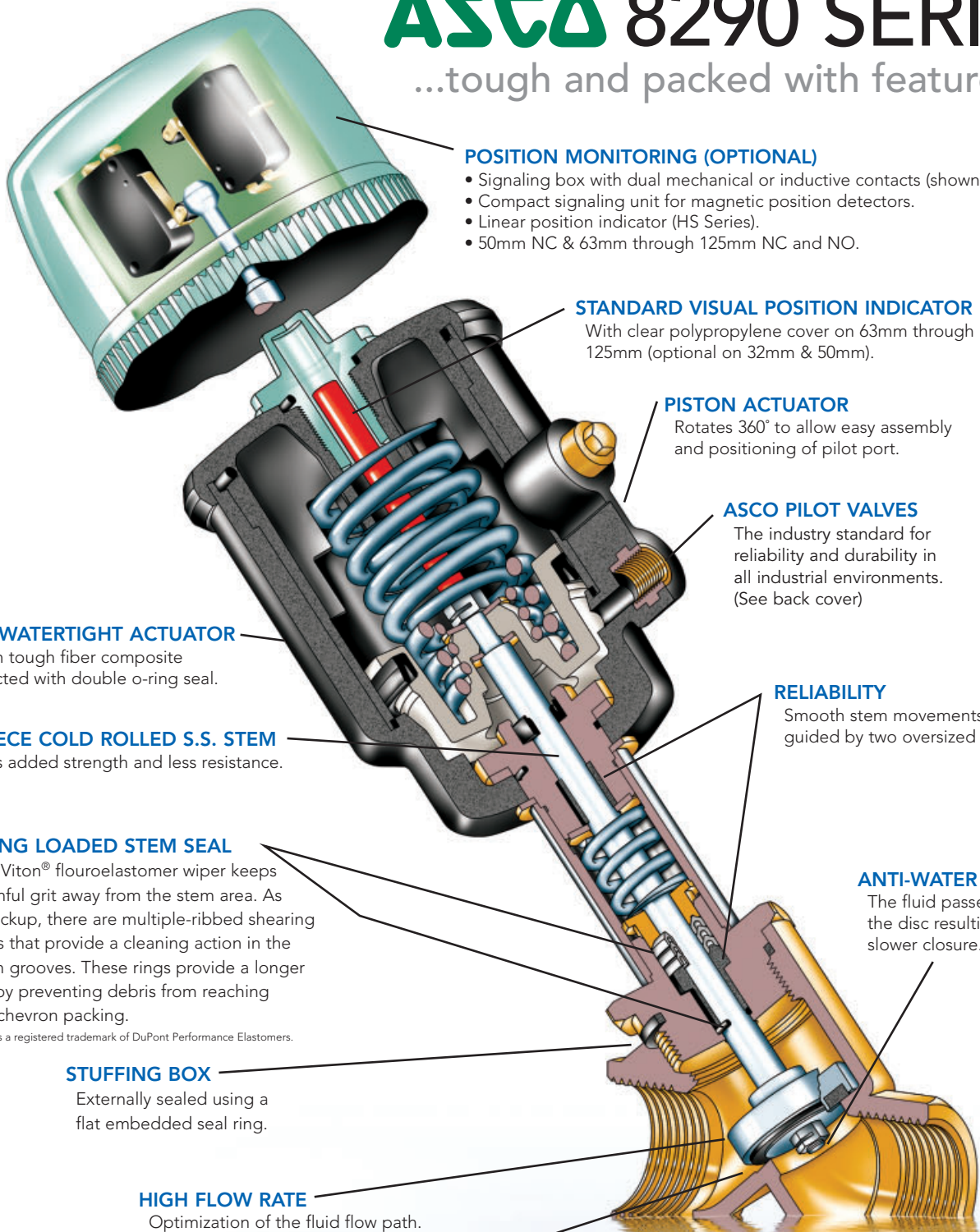
Bronze & stainless steel constructions

Sizes 3/8" through 2 1/2"



ASCO® 8290 SERIES

...tough and packed with features



POSITION MONITORING (OPTIONAL)

- Signaling box with dual mechanical or inductive contacts (shown).
- Compact signaling unit for magnetic position detectors.
- Linear position indicator (HS Series).
- 50mm NC & 63mm through 125mm NC and NO.

STANDARD VISUAL POSITION INDICATOR

With clear polypropylene cover on 63mm through 125mm (optional on 32mm & 50mm).

PISTON ACTUATOR

Rotates 360° to allow easy assembly and positioning of pilot port.

ASCO PILOT VALVES

The industry standard for reliability and durability in all industrial environments. (See back cover)

RUGGED WATERTIGHT ACTUATOR

Made from tough fiber composite and protected with double o-ring seal.

ONE PIECE COLD ROLLED S.S. STEM

Provides added strength and less resistance.

SPRING LOADED STEM SEAL

The Viton® fluoroelastomer wiper keeps harmful grit away from the stem area. As a backup, there are multiple-ribbed shearing rings that provide a cleaning action in the stem grooves. These rings provide a longer life by preventing debris from reaching the chevron packing.

Viton is a registered trademark of DuPont Performance Elastomers.

STUFFING BOX

Externally sealed using a flat embedded seal ring.

HIGH FLOW RATE

Optimization of the fluid flow path.

PTFE DISC SEAL

For bubble tight shutoff.

RELIABILITY

Smooth stem movements guided by two oversized bearings.

ANTI-WATER HAMMER

The fluid passes under the disc resulting in slower closure.

The 8290 Angle Body Piston Valve is a 2-way direct acting valve available in a normally closed or normally open construction. They have proven durability in handling aggressive fluids, such as steam, hot water, solvents, and light slurries.

The 8290 Series is pressure operated with a straight-through design available with bronze or stainless steel bodies built for demanding applications. There are many optional features including position indication and proportional control.

NOW OFFERING

The miniature 32mm Operator – Smallest on-off 316L stainless steel Angle Body Valve.

Available in sizes 3/8" - 3/4".

The 8290 Proportional Valves – Incorporating compact positioner technology to provide you with proportional control of fluids. Available for NC entry under disc, 50mm through 125mm operator. The 8290 Proportional Valves are completely pre-assembled and preset at the factory for tight disc shutoff and are provided with a test and calibration certificate.

- Uses a profiled disc in conjunction with a high resolution compact positioner and linear feedback potentiometer to provide precise proportional flow.
- Respond to 0 - 10 VDC, 0 - 20 mA or 4 - 20 mA variable control signals.
- Linearity is +/- 5% and hysteresis is less than 1%.
- The compact positioner is provided in a watertight IP65 black anodized aluminum and rugged fiber composite (polyamide) housing, while the linear potentiometer is provided in a watertight IP65 black anodized aluminum housing.



The 8290 Series is a 2-way direct acting valve available in normally closed or normally open constructions. Built for demanding applications, these valves come in a straight-through body design made of bronze or stainless steel. There are many optional features including visual/electrical position indicator or a stroke limiter. The 8290 Series is suitable for the following applications:

- General Service (air, inert gas, water, oil, light slurries)
- Steam and Hot Water

Construction

Part	Valve Parts in Contact with Fluids		
	32mm	50mm - 125mm	50mm - 125mm ①
Body	316L Stainless Steel	Bronze	316L Stainless Steel
Stem	316L Stainless Steel	431 Stainless Steel	431 Stainless Steel
Stuffing Box	316L Stainless Steel	Brass	303 Stainless Steel
Stuffing Box Seal	PTFE	PTFE Chevron	PTFE Chevron
Wiper Seal	FKM	FKM	FKM
Disc	316L Stainless Steel	Brass	304L Stainless Steel
Disc Seal	PTFE	PTFE	PTFE
Screw	316L Stainless Steel	-	-

① For all optional AISI 316L Stainless Steel constructions, contact ASCO.



Specifications

Ambient Temperature Range: 15°F to 140°F (32°F to 122°F for proportional)

Pilot Fluid Temperature Range: 15°F to 140°F

Maximum Viscosity: 2,700 SSU

For higher viscosity applications, please consult ASCO.

Alternate Valve Constructions:

- Oxygen service, add suffix "N".
- Medium vacuum service up to 7×10^{-3} Torr, add suffix "VM".
- Visual Position Indicator for normally closed valve with 32mm or 50mm operator, add suffix "VI" (note: position indicator standard on 63mm through 125mm operators).
- NET-INOX treatment (stainless steel valve body pickled in nitric/hydrofluoric acid bath), add suffix "NI".
- All 316L stainless steel versions (available on request).

See inside back cover for the following constructions:

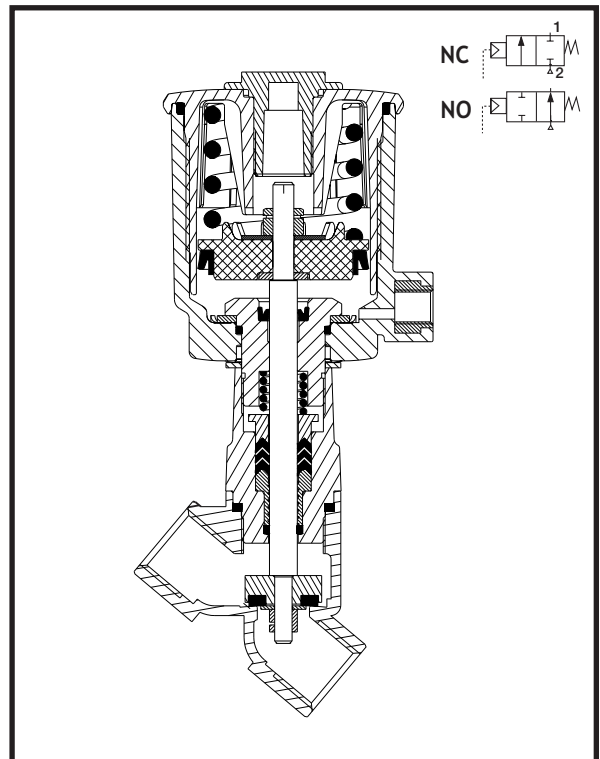
Compact Positioner for proportional control

Compact Signaling Unit

Signaling Box

Linear Position Indicator

Stroke Limiter





Specifications

Pipe Size (ins.)	Orifice Dia. (ins.)	Cv Flow		Operating Pressure Differential (psi)			Max. Fluid Temp. °F	Bronze	Stainless Steel ①	Air or Water Pilot Pressure (psi)		Approx. Shipping Weight (lbs.)
				On-Off	Prop.	Min.				Max.		
		Fluids	Steam									
32 mm Operator												
Normally Closed - Entry Under the Disc ③												
3/8	3/8	2.3	-	0	240	150	366	-	8290A791	60	150	1.3
1/2	1/2	4.1	-	0	180	150	366	-	8290A792	60	150	1.4
3/4	3/4	7.6	-	0	90	90	366	-	8290A793	60	150	1.6
Normally Open - Entry Under the Disc												
3/8	3/8	2.3	-	0	240	150	366	-	8290A794	I ②	150	1.3
1/2	1/2	4.1	-	0	240	150	366	-	8290A795	I ②	150	1.4
3/4	3/4	7.6	-	0	240	150	366	-	8290A796	I ②	150	1.6
Normally Closed - Entry Above the Disc for Rapid Cycling Steam Applications												
3/8	3/8	2.3	-	0	-	150	366	-	8290A797	II ②	150	1.3
1/2	1/2	4.1	-	0	-	150	366	-	8290A798	II ②	150	1.4
3/4	3/4	7.6	-	0	-	150	366	-	8290A799	II ②	150	1.6
50 mm Operator												
Normally Closed - Entry Under the Disc ③												
1/2	1/2	5.7	5.3	0	240	150	366	8290A384	8290A393	60	150	2.7
3/4	3/4	11	8.3	0	150	150	366	8290A385	8290A394	60	150	2.9
1	1	15	-	0	90	90	366	8290A386	8290A395	60	150	3.7
Normally Open - Entry Under the Disc												
1/2	1/2	5.7	-	0	240	150	366	8290A387	8290A396	III ②	150	2.7
3/4	3/4	11	-	0	240	150	366	8290A388	8290A397	III ②	150	2.9
1	1	15	-	0	240	150	366	8290A389	8290A398	III ②	150	3.7
Normally Closed - Entry Above the Disc for Rapid Cycling Steam Applications ③												
1/2	1/2	5.7	-	0	-	150	366	8290A390	8290A399	IV ②	150	2.7
3/4	3/4	11	-	0	-	150	366	8290A391	8290A400	IV ②	150	2.9
1	1	15	-	0	-	150	366	8290A392	8290A401	IV ②	150	3.7
63 mm Operator												
Normally Closed - Entry Under the Disc												
1/2	1/2	5.7	-	0	240	150	366	8290B002	8290B045	38	150	3.6
3/4	3/4	11	8.3	0	240	150	366	8290B005	8290B048	60	150	3.9
1	1	19	17	0	150	150	366	8290B010	8290B053	60	150	4.7
1 1/4	1 1/4	32	24	0	90	90	366	8290A016	8290A059	60	150	6.0
1 1/2	1 1/2	52	33	0	60	60	366	8290A020	8290A063	60	150	8.0
2	2	68	46	0	40	40	366	8290A024	8290A067	60	150	10.0
Normally Open - Entry Under the Disc												
1/2	1/2	5.7	-	0	240	150	366	8290B026	8290B069	V ②	150	3.6
3/4	3/4	11	-	0	240	150	366	8290B027	8290B070	V ②	150	3.9
1	1	19	-	0	240	150	366	8290B028	8290B071	V ②	150	4.7
1 1/4	1 1/4	32	-	0	240	150	366	8290A030	8290A073	V ②	150	6.0
1 1/2	1 1/2	52	-	0	160	150	366	8290A032	8290A075	V ②	150	8.0
2	2	68	-	0	105	105	366	8290A034	8290A077	V ②	150	10.0
Normally Closed - Entry Above the Disc for Rapid Cycling Steam Applications												
1/2	1/2	5.7	-	0	-	150	366	8290B036	8290B079	VI ②	150	3.6
3/4	3/4	11	-	0	-	150	366	8290B037	8290B080	VI ②	150	3.9
1	1	19	-	0	-	150	366	8290B038	8290B081	VI ②	150	4.7
1 1/4	1 1/4	32	-	0	-	150	366	8290A039	8290A082	VI ②	150	6.0
1 1/2	1 1/2	52	-	0	-	150	366	8290A040	8290A083	VI ②	150	8.0
2	2	68	-	0	-	135	366	8290A042	8290A085	VI ②	150	10.0

① Available with NET-INOX treatment, add suffix "NI"; ② Minimum pilot pressure varies, see identified graph for appropriate values; ③ For Visual Position Indicator add suffix "VI".

Specifications

Pipe Size (ins.)	Orifice Dia. (ins.)	Cv Flow		Operating Pressure Differential (psi)			Max. Fluid Temp. °F	Bronze	Stainless Steel ①	Air or Water Pilot Pressure (psi) ②		Approx. Shipping Weight (lbs.)
		On-Off	Prop.	Min.	Max.					Min.	Max.	
90 mm Operator												
Normally Closed - Entry Under the Disc												
1	1	19	17	0	240	150	366	8290B011	8290B054	60	150	6.5
1 1/4	1 1/4	32	24	0	180	150	366	8290A017	8290A060	60	150	7.7
1 1/2	1 1/2	52	33	0	120	120	366	8290A021	8290A064	60	150	9.5
2	2	68	46	0	90	90	366	8290A025	8290A068	60	150	16.0
Normally Open - Entry Under the Disc												
1	1	19	-	0	240	150	366	8290B029	8290B072	VII ②	150	6.5
1 1/4	1 1/4	32	-	0	240	150	366	8290A031	8290A074	VII ②	150	7.7
1 1/2	1 1/2	52	-	0	240	150	366	8290A033	8290A076	VII ②	150	9.5
2	2	68	-	0	240	150	366	8290A035	8290A078	VII ②	150	16.0
Normally Closed - Entry Above the Disc for Rapid Cycling Steam Applications												
1 1/4	1 1/4	32	-	0	-	150	366	8290A136	8290A137	VIII ②	150	7.7
1 1/2	1 1/2	52	-	0	-	150	366	8290A041	8290A084	VIII ②	150	9.5
2	2	68	-	0	-	150	366	8290A043	8290A086	VIII ②	150	16.0
125 mm Operator												
Normally Closed - Entry Under the Disc												
1 1/4	1 1/4	34	34	0	240	150	366	8290A642	8290A646	60	150	13.5
1 1/2	1 1/2	56	56	0	240	150	366	8290A482	8290A495	60	150	15.0
2	2	77	77	0	150	150	366	8290A485	8290A498	60	150	17.0
2 1/2	2 1/2	130	86	0	90	90	366	8290A488	8290A501	60	150	21.5
Normally Open - Entry Under the Disc												
1 1/4	1 1/4	34	-	0	240	150	366	8290A643	8290A647	IX ②	150	13.5
1 1/2	1 1/2	56	-	0	240	150	366	8290A489	8290A502	IX ②	150	15.0
2	2	77	-	0	240	150	366	8290A490	8290A503	IX ②	150	17.0
2 1/2	2 1/2	130	-	0	240	150	366	8290A492	8290A505	IX ②	150	21.5

① Available with NET-INOX treatment, add suffix "NI"; ② Minimum pilot pressure varies, see identified graph for appropriate values.

Dimensions: inches

32 mm Operator						
	ØA	B	C	D	E	ØF
ins.	3/8	3.62	3.66	3.21	2.17	0.93
ins.	1/2	3.90	3.82	3.29	2.56	1.10
ins.	3/4	4.21	4.11	3.46	2.95	1.26

32 mm Operator Graphs for Steam and Fluids

Normally Open Valve - Entry Under Disc

Normally Closed Valve - Entry Above Disc

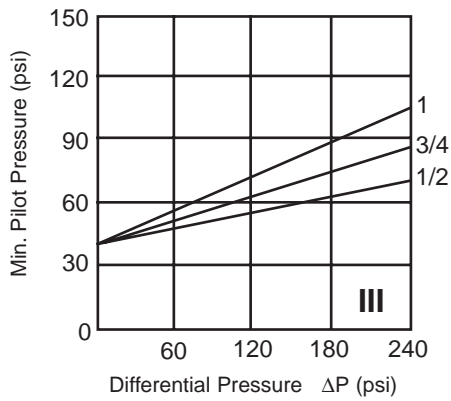
Normally Open

Normally Closed

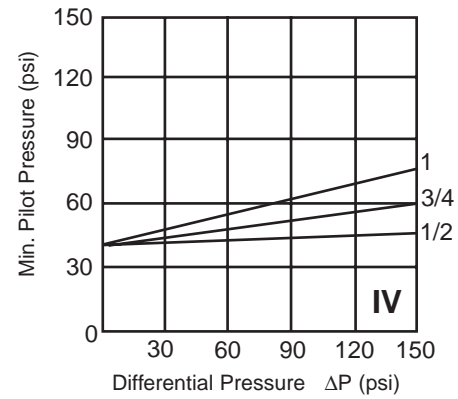
Dimensions: inches

50 mm Operator Graphs for Steam and Fluids

Normally Open Valve - Entry Under Disc



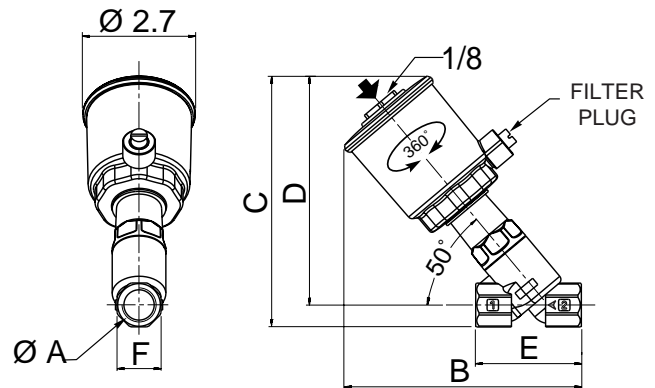
Normally Closed Valve - Entry Above Disc



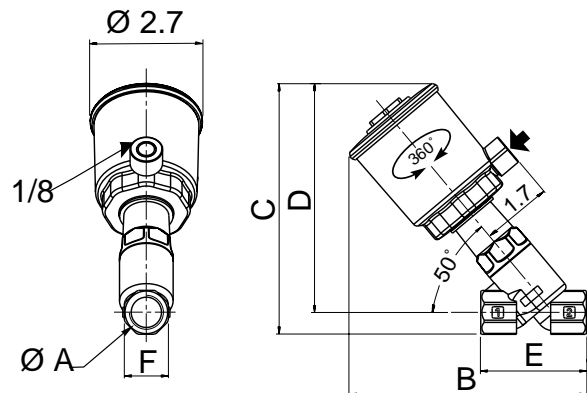
50 mm Operator						
	ØA	B	C	D	E	F
ins.	1/2	5.59	6.08	5.55	2.56	1.06
ins.	3/4	5.92	6.26	5.63	2.95	1.26
ins.	1	6.10	6.50	5.71	3.54	1.61



Normally Open

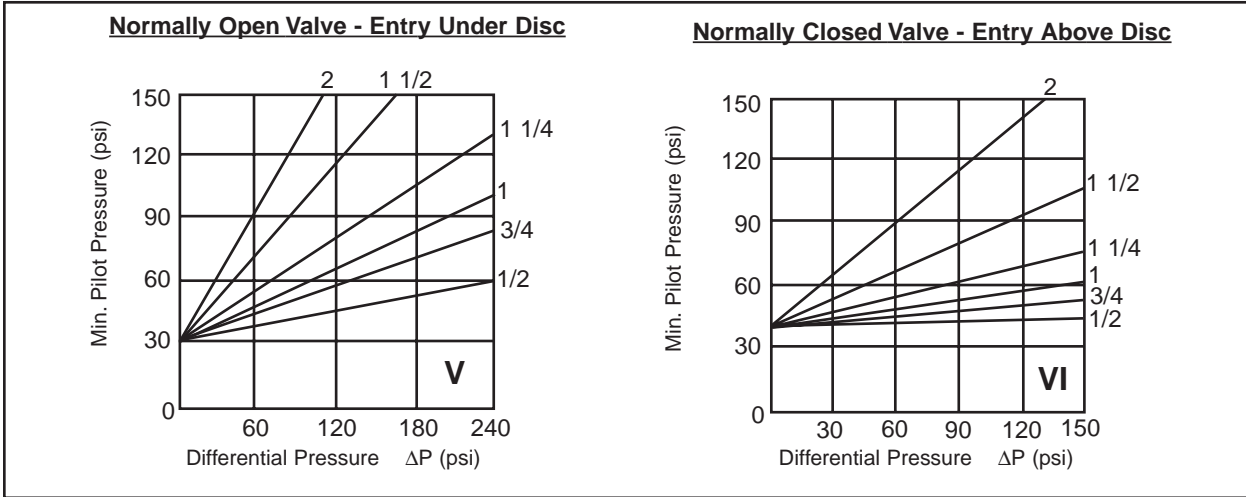


Normally Closed



Dimensions: inches

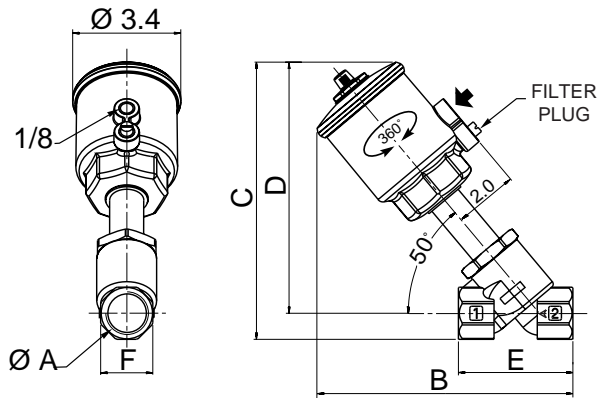
63 mm Operator Graphs for Steam and Fluids



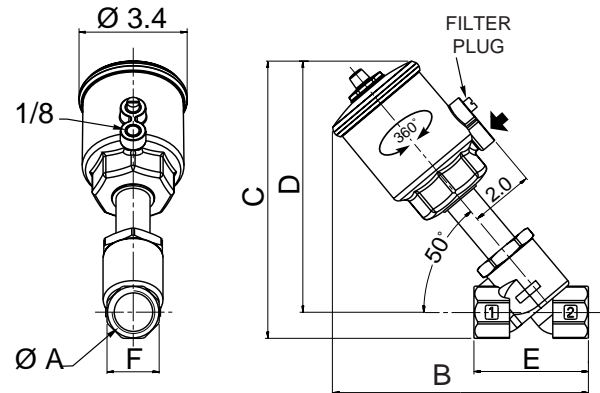
63 mm Operator						
	$\varnothing A$	B	C	D	E	F
ins.	1/2	6.7	7.2	6.6	2.56	1.06
ins.	3/4	6.8	7.3	6.7	2.95	1.26
ins.	1	7.2	7.7	6.9	3.54	1.61
ins.	1 1/4	8.54	9.01	8.03	4.33	1.97
ins.	1 1/2	8.82	9.64	8.46	4.72	2.36
ins.	2	9.80	10.2	8.82	5.9	2.76



Normally Open

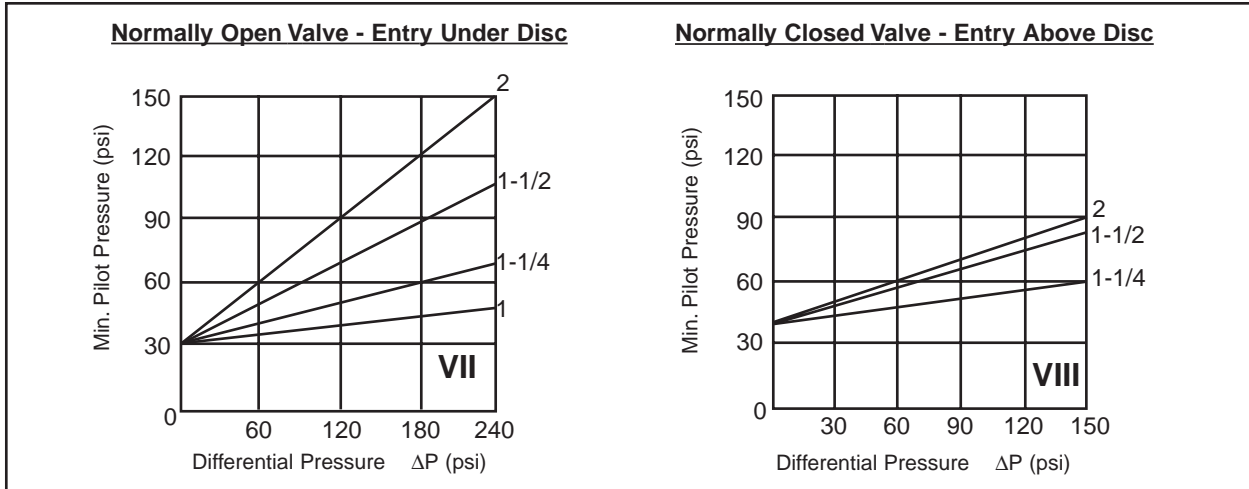


Normally Closed



Dimensions: inches

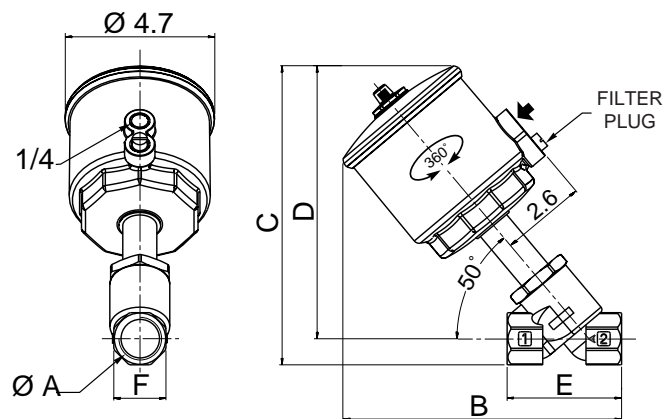
90 mm Operator Graphs for Steam and Fluids



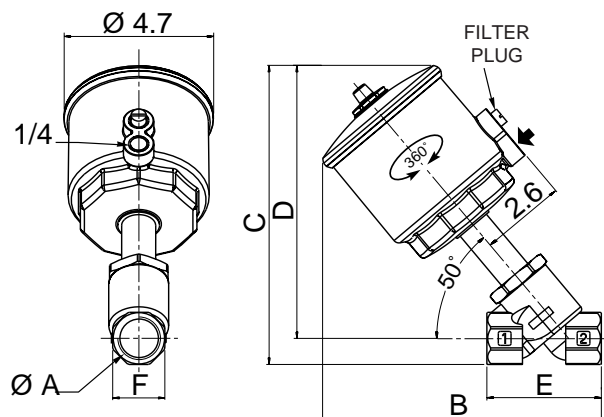
90 mm Operator						
	$\varnothing A$	B	C	D	E	F
ins.	1	8.0	8.5	7.7	3.54	1.61
ins.	1 1/4	9.29	9.69	8.70	4.33	1.97
ins.	1 1/2	9.57	10.31	9.13	4.72	2.36
ins.	2	10.51	10.87	9.49	5.91	2.76



Normally Open



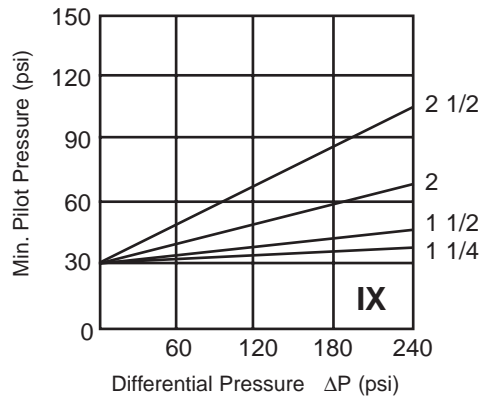
Normally Closed



Dimensions: inches

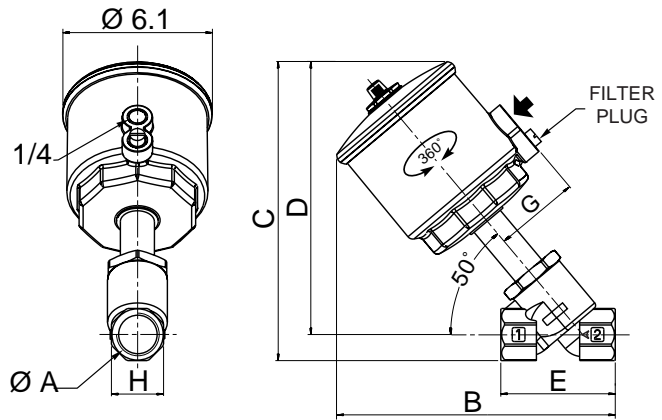
125 mm Operator Graphs for Steam and Fluids

Normally Open Valve - Entry Under Disc

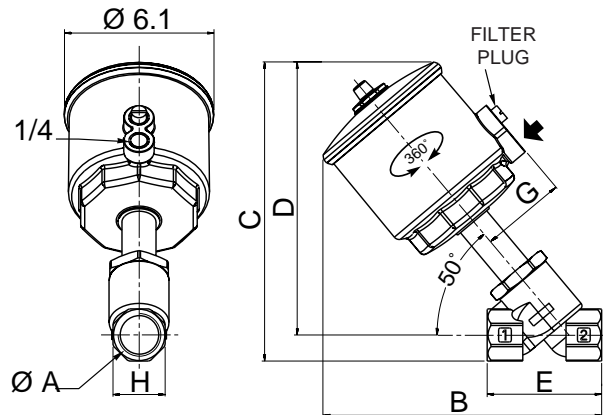


125 mm Operator							
	ØA	B	C	D	E	G	H
ins.	1 1/4	11.1	11.7	10.7	4.3	3.1	2.0
ins.	1 1/2	11.5	12.3	11.2	4.7	3.1	2.4
ins.	2	12.4	12.9	11.5	6.0	3.1	2.8
ins.	2 1/2	13.7	13.9	12.1	7.5	3.1	3.1

Normally Open



Normally Closed



ASCO® 8290 SERIES ACCESSORIES

COMPACT POSITIONERS FOR PROPORTIONAL CONTROL

Varies flow proportional to a 0-10 VDC, 0-20 mA or 4-20 mA control signal. Feedback of valve stem position via a linear potentiometer. Uses a profiled disc for flow characterization. Assembly available on 50mm through 125mm operators, normally closed with fluid entry under disc. Positioner not suitable for water piloting. (e.g., 8290A384PDB04)

Control Signal	Add Suffix
0-10 VDC	PDB04
0-20 mA	PDB05
4-20 mA	PDB06

COMPACT SIGNALING UNIT

This unit has an extension rod in place of the standard visual indicator, which contains the permanent magnet and field adjustable mini-detectors. Valve stem position is sensed by one or two mini-reed switch detectors with either an integral M8 3-pin connector or a 2 meter cable with leads. Order "Support & Rod" and "Reed Switches". (e.g., 855 29 032 & 881 00 140)

Support & Rod		Reed Switch (Each)	
50mm NC	63, 90, 125 NC/NO	W/Connector	W/Leads
885 29 032	885 29 027	881 00 140	881 00 142

SIGNALING BOX

Supplied with two mechanical or inductive switches with LEDs, and mounts on top of the valve operator in place of the standard visual indicator. As the valve cycles, cams on the signaling box lengthening stem operate the switches to provide electrical signaling of the valve position. The signaling box can rotate 360°. Assembly available on 50mm

Switches	Add Suffix
Two Mechanical	SM2
Two Inductive	SI2
Two Intrinsically Safe	SH2

normally closed and 63mm through 125mm normally open and normally closed. (e.g., 8290A384SM2)

LINEAR POSITION INDICATOR (HS SERIES)

Supplied with two mechanical or Viper™ switches and mounts on top of the valve operator in place of the standard visual indicator. Provides a wiring box with conduit connections. HS1,2,3 indicators are suitable for hazardous locations while the HS4 indicator is suitable for non-hazardous locations. Optional AS-interface® and DeviceNet® communications available. Consult ASCO for details and ordering.

AS-interface is a registered trademark of ATO. DeviceNet is a registered trademark of ODVA.

STROKE LIMITER

The stroke limiter allows Cv flow to be adjusted from 0% to 100%, and mounts on top of the 8290 Series valve in place of the position indicator. Assembly available onto 50mm (normally closed) and 63mm through 125mm normally open or normally closed valves with fluid entry under the disc. Add suffix M: (e.g., 8290B002M)



PILOT VALVES

ASCO offers a variety of 3-way direct acting normally closed pilot valves to pilot 32mm through 125mm 8290 valves. Available in direct, in-line, and remote mounting. To order, specify catalog number and voltage (24, 120, 240 AC/60Hz or 110, 220 AC/50Hz or 6, 12, 24, 120/DC).



Series 189

- Direct mount
- Swivel "Banjo" fittings, 1/8" NPT male
- Inlet for 4mm plastic tube
- DIN plug connection



Series 8356

- In-line mount
- 1/8" NPT
- Brass or 316 stainless steel
- DIN plug connection



Series 8320

- In-line mount
- 1/8" or 1/4" NPT
- Brass or stainless steel
- (Explosion Proof optional, add prefix EF)



Compact 8

- Remote mount
- 4 to 16 valves
- Compatible with AS-interface, DeviceNet, Profibus, and others
- Air service only

SPECIFICATIONS (for use on 8290 Series)

Catalog Number	Pipe Size (ins.)	Orifice Dia. (ins.)	Cv Flow ③		Operating Pressure Differential (psi)		Max. Fluid Temp. °F		Watt Rating/ Class of Coil Insulation		Body Material	Speed Control on Exhaust Port
			P-C	C-E	AC	DC	AC	DC	AC	DC		
SERIES 189												
18900049 ① ④	1/8	1/16	.04	.06	150	150	140	140	2.2/F	2.5/F	Polyamide	Yes
18900036 ① ④	1/8	1/16	.04	.06	150	150	140	140	2.2/F	2.5/F	Polyamide	-
SERIES 8356												
SC8356A001V ①	1/8	3/64	.06	.06	220	220	180	77	4.0/F	5.5/F	Brass	-
SC8356A013V ①	1/8	3/64	.06	.06	220	220	180	77	4.0/F	5.5/F	Stainless	-
SERIES 8320												
8320G130 ①	1/8	3/64	.06	.06	175	125	140	120	9.1/F	10.6/F	Brass	-
8320G140 ①	1/8	3/64	.06	.06	175	125	140	120	9.1/F	10.6/F	Stainless	-
8320G174 ②	1/4	3/32	.12	.12	100	60	200	150	17.1/F	11.6/F	Brass	-
8320G200 ②	1/4	3/32	.12	.12	100	60	200	150	17.1/F	11.6/F	Stainless	-

① Use with 32mm, 50mm, and 63mm operators; ② Use with 63mm, 90mm, and 125mm operators; ③ P = Pressure, C = Cylinder, E = Exhaust.
④ Air service only.

Canada
Tel 519-758-2700

Australia
Tel (61) 2-9-451-7077

Brazil
Tel (55) 11-4195-5333

Mexico
Tel (52-1) 728-28-51-238

France
Tel (33) 1-47-14-32-00

Germany
Tel (49)-7237-9960

United Kingdom
Tel (44) 1695-724270

China
Tel (852) 2-343-8580

Singapore
Tel (65) 6556-1100

Japan
Tel (81) 798-65-6361