

True Union Ball Valves for Actuation

1/4" to 6" - PVC, PPL and Corzan® CPVC



**Mounting Kits
Sold Separately**

ACTUATOR-READY
VALVES

Features

- Full Port Design
- Reversible PTFE Seats
- Rated to 225 PSI
- Viton® or EPDM Seals
- Double Stem Seals
- Easily Adapts to Manual Operation

Options

- Electric Actuators
- Pneumatic Actuators
- Stem Extension
- Mounting Kits

Corzan™ is a trademark of Noveon, Inc.
Viton® is a trademark of DuPont Dow Elastomers

Remote Control Valves

Hayward True Union Ball Valves, designed for actuator mounting, are ideal for reliable remote control of process fluids in a piping system. They enable all Hayward actuators and accessories to be mounted quickly with accurate alignment and proper support.

True Union Design

This makes these valves very easy to maintain – allowing for easy removal from a piping system without breaking down piping connections. Just unscrew the two assembly nuts and lift the valve body out of the line.

Advanced Features

Hayward True Union Ball Valves incorporate precision machined stems designed specifically for actuated valves – and are fitted with two seals for double-the-leak protection. The valves have a full port, blocked end design – and the seal retainer features a fine pitch thread for precise and accurate seal adjustment.

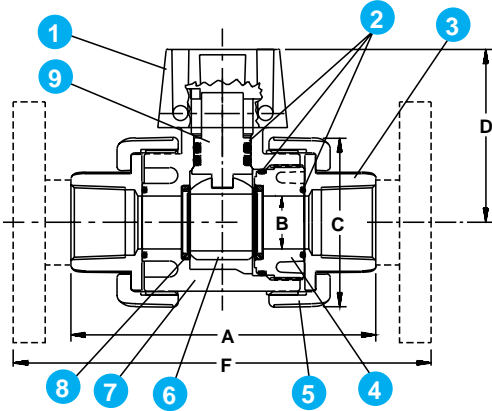
Solid Actuator Mounting Design

For rock-solid actuator mounting, the valve incorporates a unique design that allows the actuator mounting bracket to mount directly to the valve without the need for glued or clamped-on mounting pads. This assures proper alignment of the actuator to the valve without creating any damaging side loads to cause premature stem seal failure. With this design, the valve can be easily adapted to manual operation – should the need ever arise.

Never a Problem with Corrosion

Because of the valves' all plastic construction, they will never rust or corrode – and they can survive corrosive environments without the need for painting or expensive epoxy coating.

Technical Information



Parts List True Union Ball Valves for Actuation

1. Mounting Kit
2. O-Ring Seals
3. End Connector
4. Seal Retainer
5. Union Nut
6. Ball
7. Body
8. Teflon Seat*
9. Stem

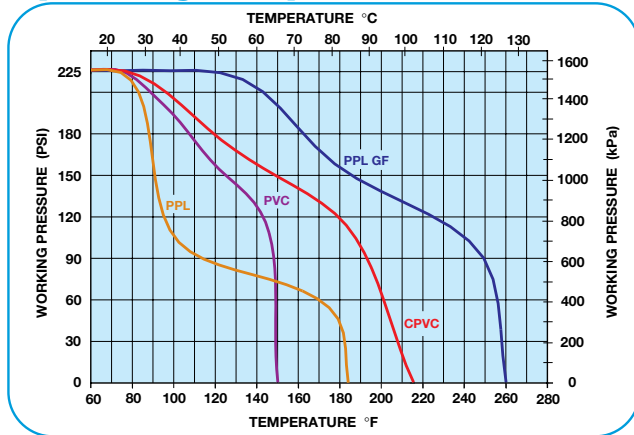
* O-Ring-backed seats on 3" & 4" sizes

Dimensions - Inches / Millimeters

Size	A	B	C	D	F	Weight (lb / kg)	
						Skt/Thd	Flanged
1/4"	4.63 / 117	0.37 / 9	2.25 / 57	2.63 / 67	N/A	0.75 / 0.34	N/A
3/8"	4.63 / 117	0.50 / 13	2.25 / 57	2.63 / 67	N/A	0.75 / 0.34	N/A
1/2" / 20*	4.63 / 117	0.50 / 13	2.25 / 57	2.63 / 67	6.75 / 171	0.75 / 0.34	1.00 / 0.45
3/4" / 25*	4.75 / 127	0.75 / 19	2.63 / 67	2.81 / 72	7.13 / 181	0.75 / 0.34	1.00 / 0.45
1" / 32*	5.25 / 133	1.00 / 25	3.00 / 76	3.05 / 77	8.00 / 203	1.15 / 0.52	2.15 / 0.98
1-1/4" / 40*	6.19 / 157	1.25 / 32	4.00 / 102	3.48 / 88	9.19 / 233	2.15 / 0.98	3.50 / 1.6
1-1/2" / 50*	6.75 / 171	1.50 / 38	4.00 / 102	3.48 / 88	9.88 / 249	2.15 / 0.98	3.75 / 1.7
2" / 63*	8.00 / 203	2.00 / 51	4.75 / 121	4.00 / 101	11.4 / 289	3.80 / 1.7	6.30 / 2.9
2-1/2"	10.68 / 271	3.00 / 76	6.40 / 163	5.50 / 140	14.38 / 365	10.50 / 4.8	14.50 / 6.6
3" / 90*	10.56 / 268	3.00 / 76	6.40 / 163	5.50 / 140	14.44 / 367	10.50 / 4.8	14.50 / 6.6
4" / 110*	12.94 / 329	3.81 / 97	8.56 / 217	6.50 / 165	17.13 / 435	17.60 / 8.0	24.80 / 11.3
6"	N/A	3.81 / 97	8.56 / 217	6.50 / 165	19.19 / 487	N/A	30.75 / 14.0

* Metric End Connections Available in: BSP - Straight Thread, BSP TR - Tapered Thread and Metric Socket

Operating Temperature/Pressure



Selection Chart

Size	Material	End Conn.	Seals	Pressure Rating
1/4" - 3/8"	PVC	Socket or Threaded	Viton®	225 PSI @70F
1/2" - 4"	PVC or CPVC	Socket, Threaded or Flanged	Viton® or EPDM	
1/2" - 2"	PPL**	Threaded	Viton®	Non-Shock
6"***	PVC	Flanged	Viton® or EPDM	

** 1/2", 3/4" and 1" are Natural PPL; 1-1/2" and 2" are PPL GF

*** 4" Valve venturied to 6"

Cv Factors

Size	Value	Size	Value
1/4"	1.0	1-1/2"	90
3/8"	2.8	2"	150
1/2"	8.0	2-1/2"	340
3/4"	16	3"	490
1"	30	4"	600
1-1/4"	75	6"	550

Pressure Loss Calculation Formula

$$\Delta P = \left[\frac{Q}{C_v} \right]^2$$

ΔP = Pressure Drop
 Q = Flow in GPM
 C_v = Flow Coefficient



Hayward Industrial Products, Inc.

One Hayward Industrial Drive, Clemmons, NC 27012
 Tel: 1-888-429-4635 (1-888-HAYINDL) • Fax: 1-888-778-8410
 E-mail: industrial@haywardnet.com
 Web Site: <http://www.haywardindustrial.com>

Hayward Industrial Products (UK) Ltd.

Unit 2, Crowngate, Wyncolls Road
 Colchester, Essex C04 9HZ
 Tel: +44 (0) 1206 854454 • Fax: +44 (0) 1206 851240