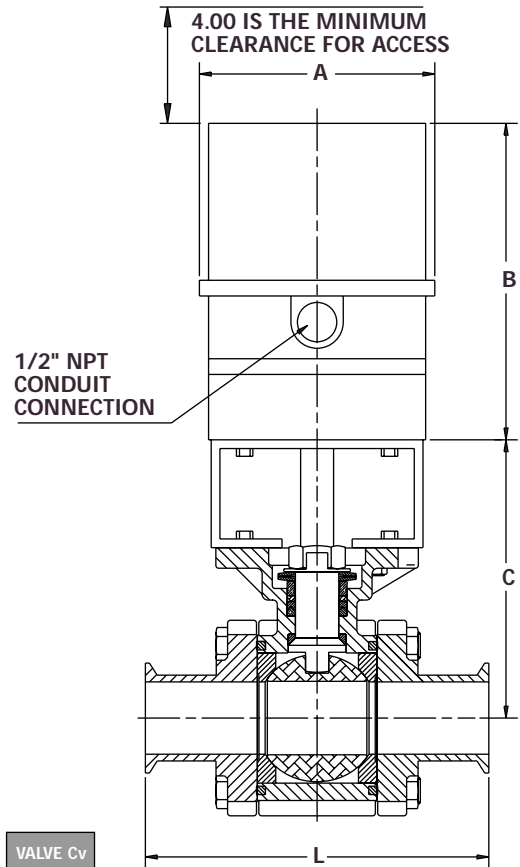




# Electric

## Automated Ball Valve Package

Series 77  
Sanitary End  
3-Piece Ball Valve  
Full Port Valve  
1000 psi  
Available 1/2"– 4"  
316SS Body, Ball & Stem  
PTFE Seats  
Sanitary or Tube OD Ends  
Cavity Filled or  
Non-Cavity Filled



SERIES 77 Sanitary Ends

### NON-CAVITY FILLED

VALVE SIZE	A	B	C	L
1/2"	4.15	4.50	3.50	3.50
3/4"	4.15	4.50	3.66	4.00
1"	4.15	4.50	3.94	4.50
1-1/2"	4.15	4.50	5.07	5.50
2"	4.15	6.05	5.37	6.25
2-1/2"	4.15	6.05	6.28	7.00
3"	7.25	7.95	6.63	9.00
4"	7.25	7.95	7.26	9.50

### CAVITY FILLED

VALVE SIZE	A	B	C	L	VALVE Cv
1/2"	4.15	4.50	3.50	3.50	6
3/4"	4.15	4.50	3.66	4.00	9
1"	4.15	4.50	3.94	4.50	21
1-1/2"	4.15	6.05	5.07	5.50	37
2"	7.25	7.95	6.37	6.25	58
2-1/2"	8.65	10.10	7.28	7.00	93
3"	8.65	10.10	7.63	9.00	139
4"	8.65	10.10	8.26	9.50	232

### NON-CAVITY FILLED

ON-OFF	
SIZE	MODEL
1/2"	77-C1-050/TEA1-XX
3/4"	77-C1-075/TEB1-XX
1"	77-C1-100/TEB1-XX
1-1/2"	77-C1-150/TEB1-XX
2"	77-C1-200/TEC1-XX
2-1/2"	77-C1-250/TEC1-XX
3"	77-C1-300/TED1-XX
4"	77-C1-400/TEE1-XX

MODULATING	
SIZE	MODEL
1/2"	77-C1-050/TEA2-XX
3/4"	77-C1-075/TEB2-XX
1"	77-C1-100/TEB2-XX
1-1/2"	77-C1-150/TEB2-XX
2"	77-C1-200/TEC2-XX
2-1/2"	77-C1-250/TEC2-XX
3"	77-C1-300/TED2-XX
4"	77-C1-400/TEE2-XX

### CAVITY FILLED

ON-OFF	
SIZE	MODEL
1/2"	77-CF-050/TEB1-XX
3/4"	77-CF-075/TEB1-XX
1"	77-CF-100/TEB1-XX
1-1/2"	77-CF-150/TEC1-XX
2"	77-CF-200/TED1-XX
2-1/2"	77-CF-250/TEF1-XX
3"	77-CF-300/TEF1-XX
4"	77-CF-400/TEH1-XX

MODULATING	
SIZE	MODEL
1/2"	77-CF-050/TEB2-XX
3/4"	77-CF-075/TEB2-XX
1"	77-CF-100/TEB2-XX
1-1/2"	77-CF-150/TEC2-XX
2"	77-CF-200/TED2-XX
2-1/2"	77-CF-250/TEF2-XX
3"	77-CF-300/TEF2-XX
4"	77-CF-400/TEH2-XX

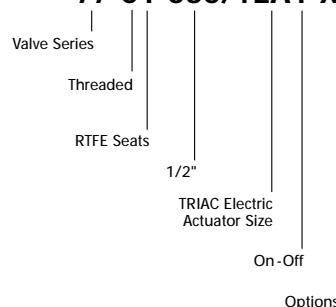
### OPTIONS

DESCRIPTION
24 VAC/24 VDC/220VAC
Feedback potentiometer

Other options available - call for details  
See valve part number matrix for complete part number and options

### SAMPLE PART #

### 77-C1-050/TEA1-XX



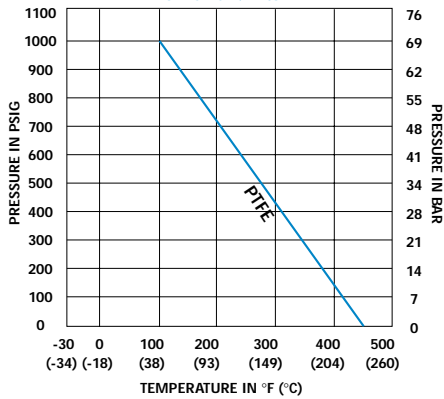
Division of A-T Controls  
11363 Deerfield Rd.  
Cincinnati, Ohio 45242  
(513) 247-5465  
FAX (513) 247-5462

# Series 77

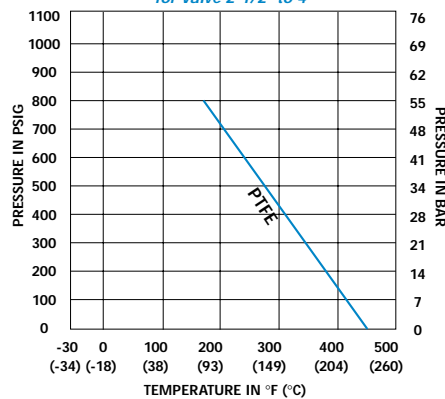
## 3-Piece "Sanitary End" Ball Valve Full Port

With or without  
cavity filler

Pressure vs. Temperature Chart  
for Valve 1/2" to 2"



Pressure vs. Temperature Chart  
for Valve 2-1/2" to 4"



NOTE: Dotted line shows the rating for valve body. Solid line shows the rating for valve seat. Both ratings need to be consulted when determining the limitation of the valve for specific application.

### MATERIALS LIST

NO.	PART NAME	QTY.	MATERIAL
1	Body	1	CF3M
2	End Cap	2	CF3M
3	Ball	1	SS316
4	Seat	2	PTFE/RTFE
5	Joint Gasket	2	PTFE
6	Thrust Washer	1	PTFE
7	Stem	1	SS316
8	Gland Packing	2	MG-1241
9	Bushing	1	#
10	Gland Bush	1	SS304
11	Belleville Washer	2	SS301
12	Stop Washer	1	SS304
13	Stem Nut	2	SS304
14	Stem Washer	1	SS304
15	Handle	1	SS304
16	Locking Device	1	SS304
17	Handle Cover	1	Plastic
18	Bolt	*	SS304
19	Bolt Nut	*	SS304
20	Bolt Washer	*	SS304
21	Stop Pin	1	SS304
22	Pin Nut	1	SS304

### DIMENSION (IN)

SIZE	A	B dia.	C	D	E	F dia.	G dia.
1/2"	3.50	0.37	2.68	3.15	0.354	1.654	1.417
3/4"	4.00	0.62	2.83	3.94	0.354	1.654	1.417
1"	4.50	0.87	3.05	4.92	0.354	1.654	1.417
1-1/2"	5.50	1.37	4.35	5.91	0.551	2.756	1.969
2"	6.25	1.87	5.20	6.30	0.551	2.756	1.969
2-1/2"	7.00	2.37	5.60	9.06	0.669	4.016	2.756
3"	9.00	2.87	6.10	11.82	0.669	4.016	2.756
4"	9.50	3.87	6.50	11.82	0.669	4.016	2.756

