



Pneumatic Spring Return

Automated Ball Valve Package

Series 22 Direct Mount

Full Port Valve

800/1000 psi WOG (by size)

2-Piece High Cycle Design

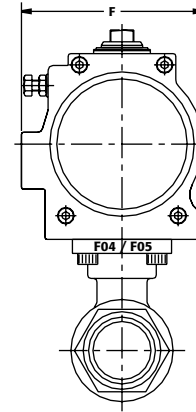
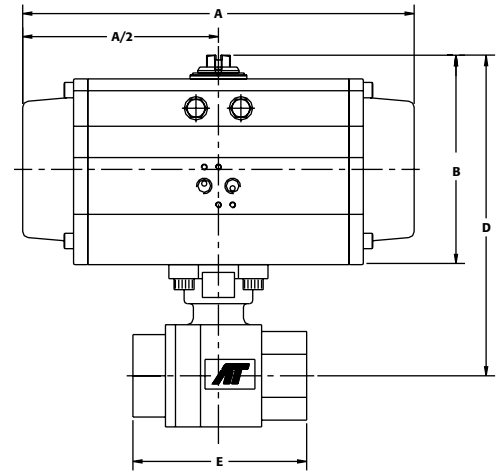
Available 1/4" – 3"

Direct Actuator Mount

316SS Body, Ball and Stem



Direct Mount



DIMENSIONS (IN)

VALVE SIZE	A	B	D	E	F	VALVE Cv
1/4"	8.05	3.55	5.08	2.56	2.58	7
3/8"	8.05	3.55	5.07	2.56	2.58	8
1/2"	8.05	3.55	5.15	2.56	2.58	15
3/4"	8.00	4.22	6.04	2.94	3.29	40
1"	9.34	5.28	7.52	3.46	4.41	70
1-1/4"	9.34	5.28	7.68	4.02	4.41	110
1-1/2"	9.34	5.28	8.34	4.33	4.41	250
2"	9.34	5.28	8.63	4.92	4.41	350
2-1/2"	11.51	6.07	10.38	6.32	5.20	600
3"	13.92	6.97	11.60	7.01	6.03	900

DIMENSIONS SHOWN FOR ASSEMBLIES SIZED FOR 80 PSI SUPPLY.

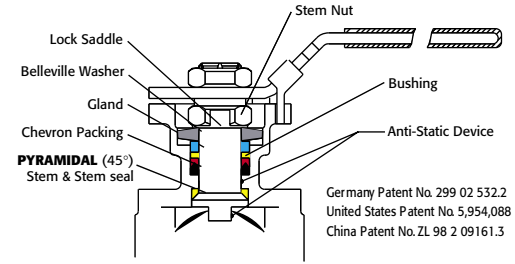
SERIES 22 2-Piece Direct Mount

SIZED FOR 80 psi AIR SUPPLY

SIZE	MODEL
1/4"	22-TX-025/TR1S-XX
3/8"	22-TX-038/TR1S-XX
1/2"	22-TX-050/TR1S-XX
3/4"	22-TX-075/2R2S-XX
1"	22-TX-100/2R2S-XX
1-1/4"	22-TX-125/2R3S-XX
1-1/2"	22-TX-150/2R3S-XX
2"	22-TX-200/2R3S-XX
2-1/2"	22-TX-250/2R5S-XX
3"	22-TX-300/2R6S-XX

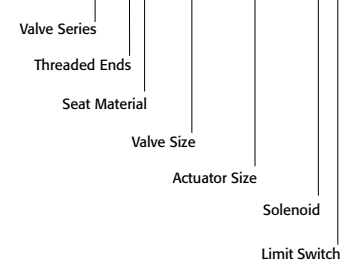
SIZED FOR 60 psi AIR SUPPLY

SIZE	MODEL
1/4"	22-TX-025/TR1S-XX
3/8"	22-TX-038/TR1S-XX
1/2"	22-TX-050/TR1S-XX
3/4"	22-TX-075/2R2S-XX
1"	22-TX-100/2R3S-XX
1-1/4"	22-TX-125/2R3S-XX
1-1/2"	22-TX-150/2R4S-XX
2"	22-TX-200/2R4S-XX
2-1/2"	22-TX-250/2R5S-XX
3"	22-TX-300/2R6S-XX



Germany Patent No. 299 02 532.2
United States Patent No. 5,954,088
China Patent No. ZL 98 2 09161.3

SAMPLE PART #
22-TX-100/2R3S-XX



OPTIONS

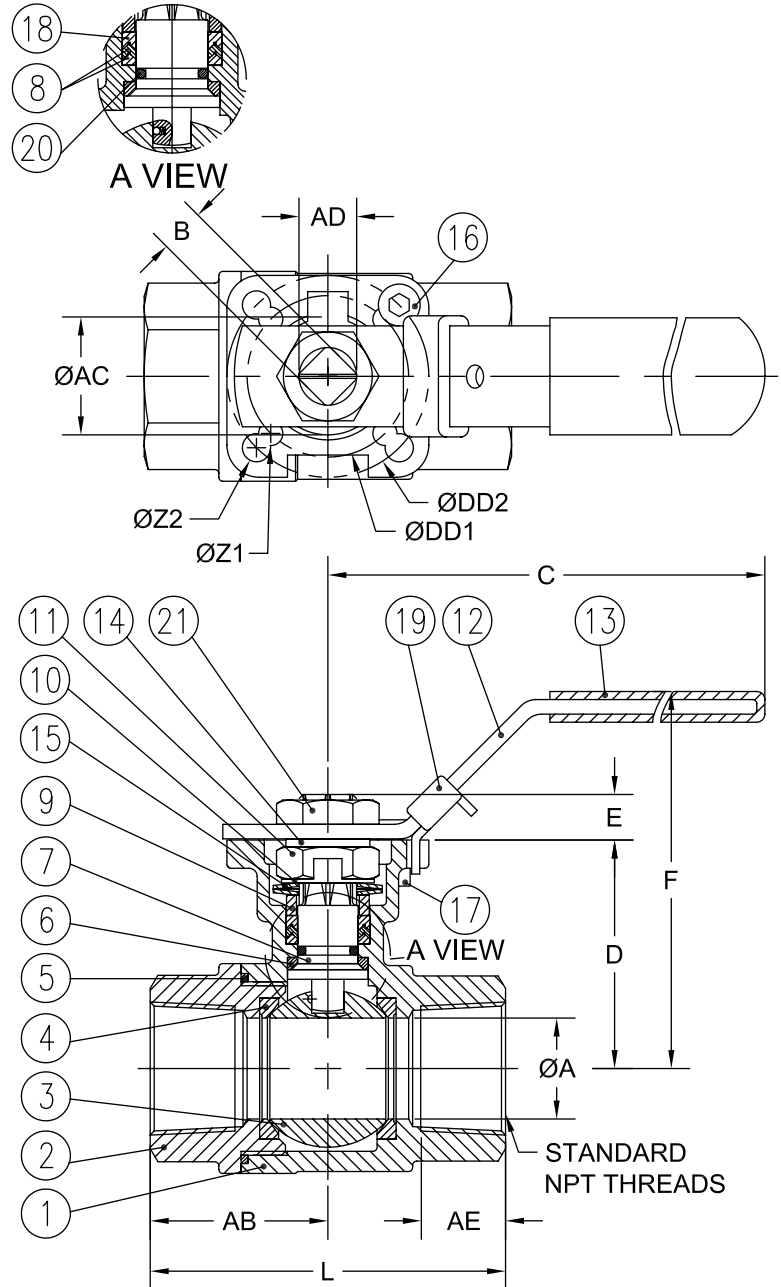
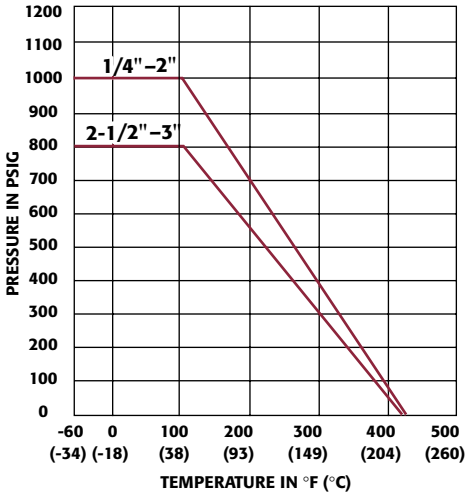
DESCRIPTION	PART NO. SUFFIX	DESCRIPTION	PART NO. SUFFIX
NEMA 4 Solenoid	(A)	NEMA 4 Limit Switch (2) spdt	(A)
NEMA 7 Solenoid	(B)	NEMA 7 Limit Switch (2) spdt	(B)

Other options available - call for details
Actuators are sized based on clean/clear fluid at full rated pressure of valves.
See valve part number matrix for complete part number and options.

Series 22

Direct Mount High Cycle Full Port Ball Valve

Pressure vs. Temperature Chart
For RTFE Seats



MATERIALS LIST

NO.	PART NAME	QTY.	MATERIAL
1	Body	1	CF8M
2	End Cap	1	CF8M
3	Ball	1	SS316
4	Seat	2	RTFE
5	Joint Gasket	1	PTFE
6	Thrust Washer	1	RTFE
7	Stem	1	SS316
8	Gland Packing	*	PTFE
9	Gland Bush	1	SS304
10	Stop Washer	1	SS304
11	Stem Nut	1	SS304
12	Handle	1	SS304
13	Handle Sleeve	1	Vinyl
14	Stem Washer	1	SS304
15	Belleville Washer	2	SS301
16	Stop Pin	1	SS304
17	Pin Nut	1	SS304
18	Gland Packing	1	PTFE
19	Locking Device	1	SS304
20	O-Ring	1	Viton®
21	Handle Nut	1	SS304

* For 1/4" - 2", 2 pcs.; For 2-1/2" - 3", 3 pcs.

Break Away Torques RTFE SEATS

SIZE	IN-LBS.
1/4"	62
3/8"	62
1/2"	62
3/4"	71
1"	124
1-1/4"	159
1-1/2"	230
2"	319
2-1/2"	487
3"	770

For other seat material, consult factory

DIMENSION (IN)

SIZE	A	B	C	D	E	F	L	Z1	Z2	AB	AC	AD	AE	DD1	DD2	(LBS)	ISO5211
1/4"	0.45	0.354	5.88	1.53	0.26	2.99	2.56	0.26	0.28	1.28	0.92	0.43	0.55	1.417	1.969	1.23	F03/F04/F05
3/8"	0.49	0.354	6.12	1.52	0.26	2.99	2.56	0.26	0.28	1.28	0.92	0.43	0.53	1.471	1.969	1.23	F03/F04/F05
1/2"	0.59	0.354	5.83	1.60	0.26	3.05	2.56	0.26	0.28	1.28	0.92	0.43	0.53	1.417	1.969	1.23	F03/F04/F05
3/4"	0.79	0.354	5.88	1.82	0.28	3.23	2.94	0.26	0.28	1.47	0.91	0.43	0.61	1.417	1.969	1.32	F03/F04/F05
1"	0.98	0.433	6.77	2.24	0.44	3.74	3.46	0.26	0.28	1.73	1.26	0.56	0.72	1.654	1.969	2.40	F04/F05
1-1/4"	1.26	0.433	6.77	2.40	0.44	3.92	4.02	0.24	0.27	2.01	1.26	0.56	0.81	1.654	1.969	3.31	F04/F05
1-1/2"	1.50	0.551	8.51	3.06	0.55	4.00	4.33	0.29	0.35	2.17	1.53	0.75	0.76	1.969	2.756	5.62	F05/F07
2"	1.97	0.551	8.51	3.35	0.56	5.16	4.92	0.29	0.35	2.46	1.53	0.75	0.89	1.969	2.756	7.93	F05/F07
2-1/2"	2.56	0.669	10.53	4.31	0.67	6.18	6.32	0.39	0.48	3.16	2.07	0.88	1.09	2.756	4.016	16.38	F07/F10
3"	3.15	0.669	11.88	4.63	0.71	6.80	7.01	0.39	0.48	3.51	2.08	0.88	1.19	2.756	4.016	22.81	F07/F10

Viton® is a registered trademark of E.I. DuPont de Nemours.
A-T Controls, Inc. reserves the right to change product designs and technical/dimensional specifications without notice.

A-T Controls, Inc.

Triac Division
11363 Deerfield Rd.
Cincinnati, Ohio 45242

PHONE (513) 247-5465
FAX (513) 247-5462
e-mail: sales@a-tcontrols.com
www.a-tcontrols.com