



Pneumatic Spring Return

Automated Ball Valve Package

Series 55
3-Piece Ball Valve

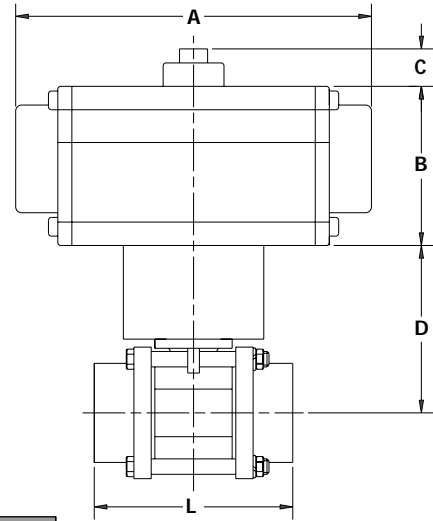
Full Port Valve
1000 & 800 psi

Available 1/4"– 4"

316SS or WCB Body
316SS Ball & Stem

Standard RTFE Seats
Others Available

Threaded, SW or BW

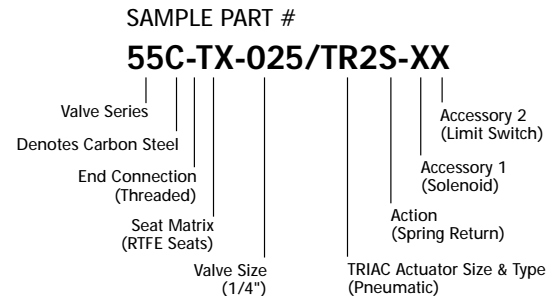


SERIES 55 3-Piece

VALVE SIZE	A	B	C	D	L	VALVE Cv
1/4"	7.56	3.39	0.79	3.16	2.52	6
3/8"	7.56	3.39	0.79	3.16	2.58	9
1/2"	7.56	3.39	0.79	3.16	2.58	21
3/4"	7.56	3.39	0.79	3.30	3.00	37
1"	8.94	4.45	0.79	3.57	3.39	58
1-1/4"	8.94	4.45	0.79	3.61	4.05	93
1-1/2"	8.94	4.45	0.79	3.87	4.69	139
2"	10.39	4.88	0.79	4.17	5.17	232
2-1/2"	10.39	4.88	0.79	4.95	6.48	371
3"	11.50	5.28	0.79	5.35	7.19	557
4"	13.23	6.18	0.79	7.25	9.29	835

SIZED FOR 80 psi AIR SUPPLY	
SIZE	MODEL
1/4"	55-TX-025/TR2S-XX
3/8"	55-TX-038/TR2S-XX
1/2"	55-TX-050/TR2S-XX
3/4"	55-TX-075/TR2S-XX
1"	55-TX-100/TR3S-XX
1-1/4"	55-TX-125/TR3S-XX
1-1/2"	55-TX-150/TR3S-XX
2"	55-TX-200/TR4S-XX
2-1/2"	55-TX-250/TR4S-XX
3"	55-TX-300/TR5S-XX
4"	55-TX-400/TR6S-XX

SIZED FOR 60 psi AIR SUPPLY	
SIZE	MODEL
1/4"	55-TX-025/TR2S-XX
3/8"	55-TX-038/TR2S-XX
1/2"	55-TX-050/TR2S-XX
3/4"	55-TX-075/TR3S-XX
1"	55-TX-100/TR3S-XX
1-1/4"	55-TX-125/TR3S-XX
1-1/2"	55-TX-150/TR4S-XX
2"	55-TX-200/TR4S-XX
2-1/2"	55-TX-250/TR5S-XX
3"	55-TX-300/TR6S-XX
4"	55-TX-400/TR7S-XX



OPTIONS

DESCRIPTION	PART NO. SUFFIX	DESCRIPTION	PART NO. SUFFIX
NEMA 4 Solenoid	(A)	NEMA 4 Limit Switch (2) spdt	(A)
NEMA 7 Solenoid	(B)	NEMA 7 Limit Switch (2) spdt	(B)

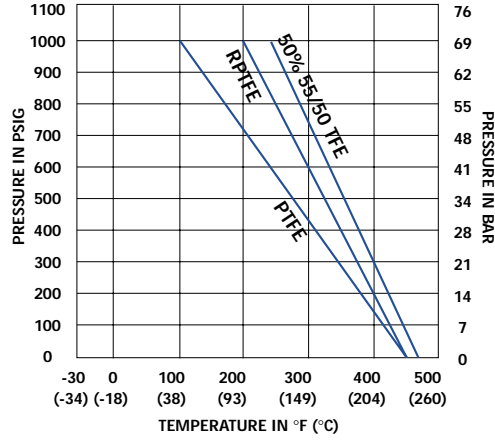
Other options available - call for details
See valve part number matrix for complete part number and options



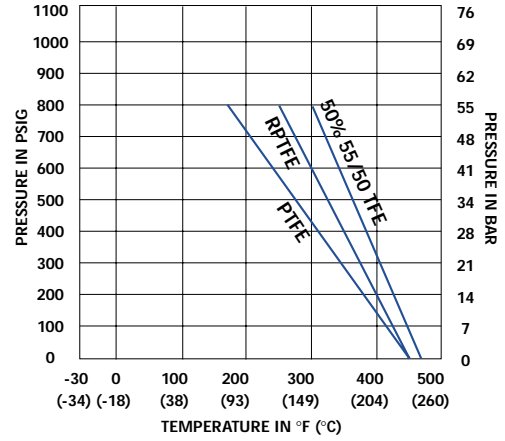
Series 55

Economical
Full Port
3-Piece Ball Valve
ISO 5211 Mounting Pad
1000 & 800 PSI WOG
1/4" to 4"

Pressure vs. Temperature Chart
for Valve 1/4" to 2"

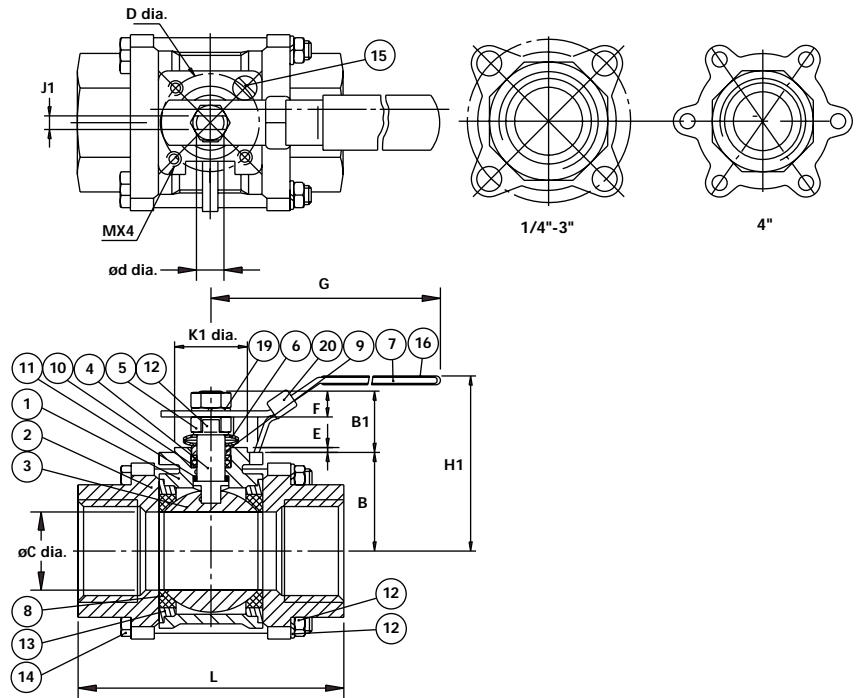


Pressure vs. Temperature Chart
for Valve 2-1/2" to 4"



MATERIALS LIST

NO.	PART NAME	QTY.	MATERIAL	
			Stainless Steel	Carbon Steel
1	Body	1	CF8M	A216 Gr. WCB
2	End Cap	2	CF8M	A216 Gr. WCB
3	Ball	1	SS316	SS316
4	Stem	1	SS316	SS316
5	Stem Nut	1	SS304	SS304
6	Belleville Washer	2	SS301	SS301
7	Handle	1	SS304	SS304
8	Seat	2	PTFE/RTFE	PTFE/RTFE
9	Gland Bush	1	SS304	SS304
10	Gland Packing	2	PTFE/RTFE	PTFE/RTFE
11	Thrust Washer	2	PTFE/RTFE	PTFE/RTFE
12	Stop Washer	1	SS304	SS304
13	Joint Gasket	1	PTFE	PTFE
14	Bolt	#	SS304	SS304
15	Stop Pin	1	SS304	SS304
16	Handle Cover	1	Plastic	Plastic
17	Bolt Nut	*	SS304	SS304
18	Washer	*	SS304	SS304
19	Stem Washer	1	SS304	SS304
20	Locking Device	1	SS304	SS304



For 1/4" and 2" – 4 pcs.; For 2-1/2" and 3" – 8 pcs.; For 4" – 12 pcs.
 * For 1/4" and 2" – 4 pcs.; of bolts (single ended external thread)
 For 2-1/2" and 3" – 4 pcs.; of studs (double ended external thread)
 For 4" – 6 pcs.; of studs (double ended external thread)
 Carbon filled PTFE, stainless steel filled PTFE and UHMW seats
 available upon request

DIMENSION (IN)

SIZE	ØC	B	B1	D	E	d	F	G	H1	J1	K1	L	M	ISO5211	LBS/IN	W(LBS)
1/4"	0.46	1.16	0.77	1.417	0.08	0.374	0.33	5.12	2.56	0.256	0.98	2.50	M5	FOR F03	44	0.9
3/8"	0.50	1.16	0.77	1.417	0.08	0.374	0.33	5.12	2.56	0.256	0.98	2.50	M5	FOR F03	44	0.9
1/2"	0.59	1.16	0.77	1.417	0.08	0.374	0.33	5.12	2.56	0.256	0.98	2.58	M5	FOR F03	44	1.2
3/4"	0.79	1.30	0.77	1.417	0.08	0.374	0.34	5.12	2.68	0.256	0.98	3.00	M5	FOR F03	62	1.7
1"	0.98	1.58	0.82	1.654	0.08	0.433	0.54	6.50	2.80	0.315	1.18	3.39	M5	FOR F04	106	2.4
1-1/4"	1.26	1.61	1.00	1.654	0.08	0.433	0.54	6.50	3.07	0.315	1.18	4.05	M5	FOR F04	115	3.8
1-1/2"	1.50	1.87	1.24	1.969	0.08	0.551	0.58	7.50	3.39	0.382	1.38	4.69	M6	FOR F05	195	5.6
2"	1.97	2.17	1.24	1.969	0.08	0.551	0.58	7.50	3.74	0.382	1.38	5.17	M6	FOR F05	248	7.1
2-1/2"	2.52	2.95	1.74	2.756	0.08	0.748	1.05	9.84	5.12	0.472	2.17	6.46	M8	FOR F07	398	16.2
3"	3.15	3.35	1.63	4.016	0.08	0.748	0.86	9.84	5.83	0.472	2.76	7.19	M10	FOR F10	531	24.7
4"	3.94	4.25	2.01	4.016	0.08	0.945	1.30	11.00	7.28	0.591	2.76	9.28	M10	FOR F10	885	44.8



Division of A-T Controls (513) 247-5465
 11363 Deerfield Rd. FAX (513) 247-5462
 Cincinnati, Ohio 45242 e-mail: sales@a-tcontrols.com