



Spring Return

Automated Ball Valve Package

Series 90
150# Flanged Ball Valve



Full Port Valve

Class 150

1/2" – 4"

316SS or CS Body

316SS Ball & Stem

Belleville Washers

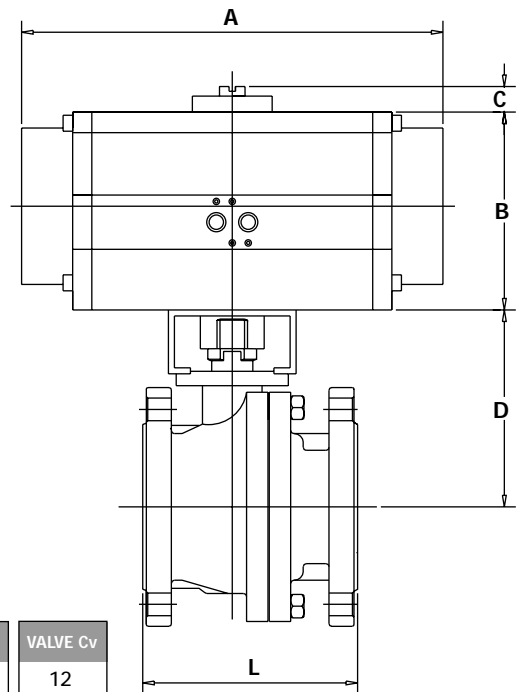
Chevron Packing

RTFE Seats Standard

API 607 - 4th Edition
CERTIFIED



150# Flanged
Firesafe tested to API-607



VALVE SIZE	A	B	C	D	L	VALVE Cv
1/2"	7.56	3.39	0.79	2.90	4.25	12
3/4"	7.56	3.39	0.79	3.17	4.63	32
1"	8.94	4.45	0.79	3.48	5.00	70
1-1/2"	8.94	4.45	0.79	5.70	6.50	240
2"	10.39	4.88	0.79	6.00	7.00	410
2-1/2"	13.23	6.18	0.79	6.45	7.50	680
3"	13.23	6.18	0.79	6.83	8.00	940
4"	16.26	6.93	1.18	7.42	9.00	1740
6"	26.68	10.08	1.18	10.67	15.50	-
8"	38.86	10.08	1.18	13.03	18.00	-

SERIES F90 150# Flanged
Firesafe

SIZED FOR 80 psi AIR SUPPLY

SIZE	MODEL
1/2"	F90-F1-050/TR2S-XX
3/4"	F90-F1-075/TR2S-XX
1"	F90-F1-100/TR3S-XX
1-1/2"	F90-F1-150/TR3S-XX
2"	F90-F1-200/TR4S-XX
2-1/2"	F90-F1-250/TR6S-XX
3"	F90-F1-300/TR6S-XX
4"	F90-F1-400/TR7S-XX
6"	NA
8"	NA

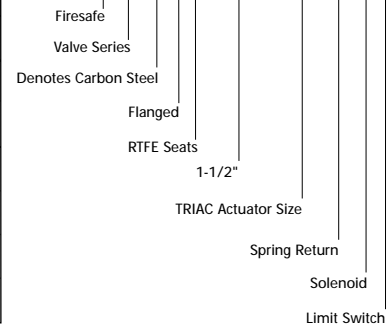
SIZED FOR 60 psi AIR SUPPLY

SIZE	MODEL
1/2"	F90-F1-050/TR2S-XX
3/4"	F90-F1-075/TR3S-XX
1"	F90-F1-100/TR3S-XX
1-1/2"	F90-F1-150/TR4S-XX
2"	F90-F1-200/TR5S-XX
2-1/2"	F90-F1-250/TR6S-XX
3"	F90-F1-300/TR6S-XX
4"	F90-F1-400/TR7S-XX
6"	NA
8"	NA

Series 90 denotes investment cast / 93 sand cast

SAMPLE PART #

F90C-F1-150/TR2S-XX



OPTIONS

DESCRIPTION	PART NO. SUFFIX	DESCRIPTION	PART NO. SUFFIX
NEMA 4 Solenoid	(A)	NEMA 4 Limit Switch (2) spdt	(A)
NEMA 7 Solenoid	(B)	NEMA 7 Limit Switch (2) spdt	(B)

Other options available - call for details

Actuators are sized based on clean/clear fluid at full rated pressure of valves.

See valve part number matrix for complete part number and options.

0600-F90SR



Division of A-T Controls
11363 Deerfield Rd.
Cincinnati, Ohio 45242

(513) 247-5465
FAX (513) 247-5462
e-mail: sales@a-tcontrols.com

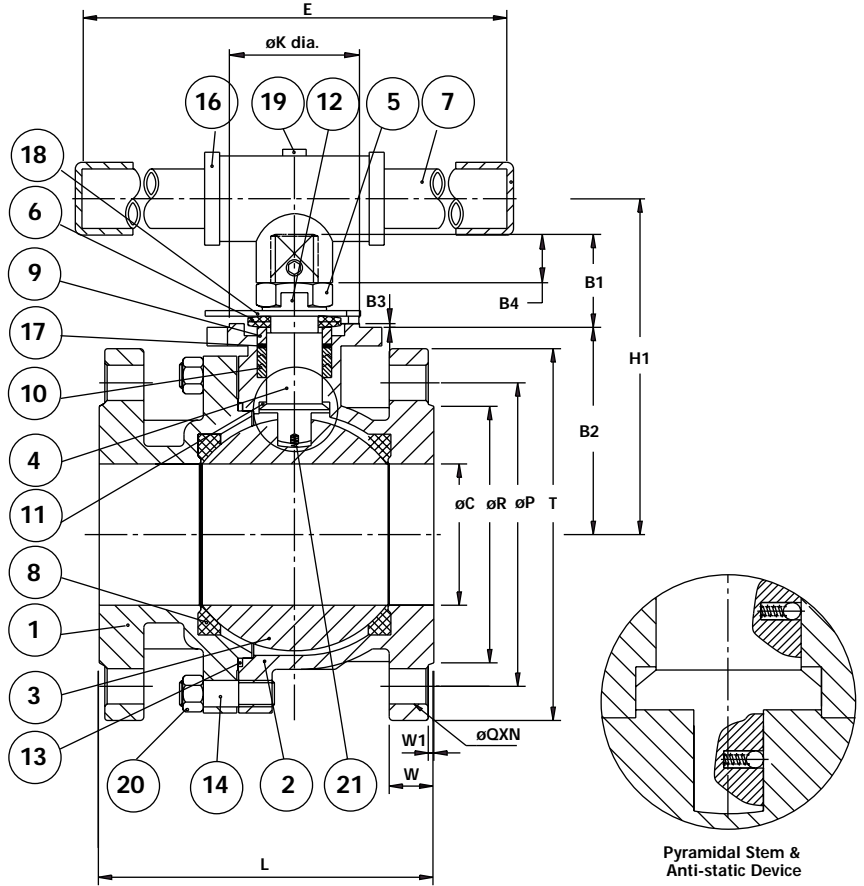
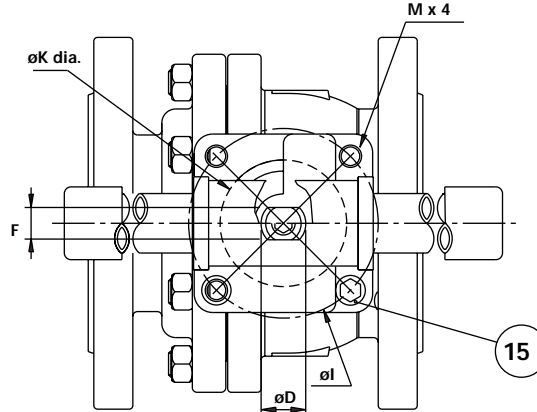
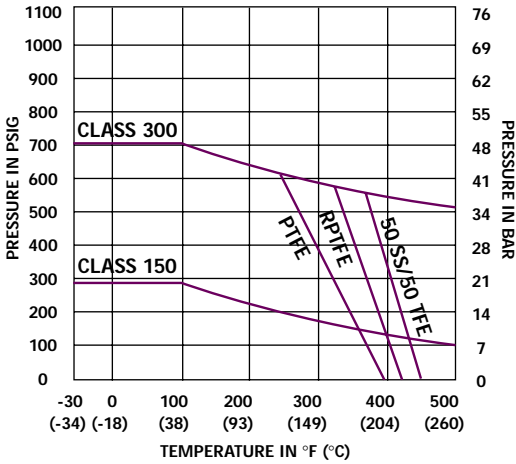
Series F90

High Performance, Full Port Split Body Ball Valve Series 90 (ANSI Class 150)

API 607 - 4th Edition
CERTIFIED

"Firesafe"

Pressure vs. Temperature Chart



MATERIALS LIST

NO.	PART NAME	QTY.	MATERIAL	MATERIAL
1	Body	1	ASTM A351 Gr. CF8M	ASTM A216 Gr. WCB
2	End Cap	1	ASTM A351 Gr. CF8M	ASTM A216 Gr. WCB
3	Ball	1	SS316	SS304
4	Stem	1	SS316	SS304
5	Stem Nut	1	SUS304	A-276
6	Belleville Washer	2	SS301	SS301
7	Cylindrical Handle	1	SUS304	A-276
8	Seat	2	RPTFE	RPTFE
9	Gland	1	SUS304	A-276
10	Stem Packing	s	Graphite	Graphite
11	Stem Seal	2	PTFE	PTFE
11-1	Stem Seal	1	Graphite	Graphite
12	Lock Saddle	1	SUS304	A-276
13	Joint Gasket	1	Graphite	Graphite
14	Stud	*	SUS304	A-276
15	Stop Pin	1	SUS304	A-276
16	Handle T-Bar	1	SUS304	A-276
17	Bushing	1	#	#
18	Locking Plate	1	SS304	A-276
19	Handle Nut	2	SS304	A-276
20	Bolt Nut	*	SS304	A-276
21	Anti-Static Spring	1	SS304	SS304

* For 1/2" and 3" - 4 pcs. of bolt
 * For 4" - 4 pairs of stud and nut
 * For 6" - 8 pairs of stud and nut
 * For 8" - 12 pairs of stud and nut
 # 25% stainless steel powder-filled PTFE

NOTE: Materials designated in the material list are our standard materials. Other options are available to suit different operating environment (see pressure vs. temperature chart for different seat options).

DIMENSION (IN)

SIZE	^{+0.02} B1	B2	B3	^{+0.06} _{-0.02} B4	ØC	ØD	E	F	H1	ØI	ØK	L	M	N	ØP	ØQ	ØR	ØT	W	ISO5211
1/2"	0.92	1.34	0.08	0.40	0.59	0.44	6.5	0.315	2.6	1.654	1.18	4.25	M5(10-24UNC)	4	2.38	0.63	1.38	3.50	0.44	F04
3/4"	0.91	1.61	0.08	0.43	0.79	0.44	6.5	0.315	2.9	1.654	1.18	4.61	M5(10-24UNC)	4	2.75	0.63	1.70	3.88	0.44	F04
1"	1.04	1.93	0.08	0.45	1.00	0.56	7.9	0.382	3.5	1.969	1.38	5.00	M6(1/4"-24UNC)	4	3.12	0.63	2.00	4.25	0.44	F05
1-1/2"	1.38	3.07	0.08	0.69	1.50	0.75	9.8	0.472	4.8	2.756	2.17	6.50	M8(5/16"-18UNC)	4	3.88	0.63	2.88	5.00	0.56	F07
2"	1.36	3.39	0.08	0.68	1.97	0.75	9.8	0.472	5.2	2.756	2.17	7.00	M8(5/16"-18UNC)	4	4.75	0.75	3.62	5.98	0.63	F07
2-1/2"	1.34	3.82	0.08	0.63	2.56	0.75	9.8	0.472	5.6	2.756	2.17	7.48	M8(5/16"-18UNC)	4	5.50	0.75	4.13	7.00	0.69	F07
3"	1.83	4.21	0.08	1.00	3.15	0.95	13.8	0.591	6.9	4.016	2.76	8.00	M10(3/8"-16UNC)	4	6.00	0.75	5.00	7.48	0.75	F10
4"	1.82	4.80	0.08	0.96	3.94	0.95	13.8	0.591	7.5	4.016	2.76	9.02	M10(3/8"-16UNC)	8	7.50	0.75	6.18	9.02	0.94	F10



Division of A-T Controls (513) 247-5465
 11363 Deerfield Rd. FAX (513) 247-5462
 Cincinnati, Ohio 45242 e-mail: sales@a-tcontrols.com