



## BYB Series Industrial Butterfly Valves Lever Operated Only



2" to 8" • Bodies - PVC, CPVC, PPL, and PVDF • Disks - CPVC, PPL, and PVDF



### **A Better Butterfly Valve**

Hayward's BYB Series Industrial Butterfly Valves 2" through 8" are rated at a full 150 PSI. Unlike other plastic butterfly valves, these valves are constructed from a one piece body that incorporates slot designed bolt holes to accommodate ANSI and DIN pipe flanges. Their heavy duty construction stands up to the most demanding applications.

### **Extra Features, No Extra Cost**

BYB Series Butterfly Valves feature a stainless steel stem and a lever handle with a built in lockout feature.

### **Better Sealing**

Other plastic butterfly valves have only a thin o-ring on the disk to seal the valve, but Hayward valves feature a full body double liner seal and a liner retention slot. This means that the process media never contacts the valve body. And you can count on the full liner seal to perform reliably, year after year.

### **No Metal, No Corrosion**

These valves have no metal in contact with the process media. They cannot corrode or rust – nor will they contaminate sensitive fluids flowing through them.

### **Features**

- Rated at 150 PSI
- Stainless Steel Stem
- Fully Supported Flange Bolt Holes
- FPM or EPDM Liners
- Wafer Body Design
- Slot Design for ANSI, DIN

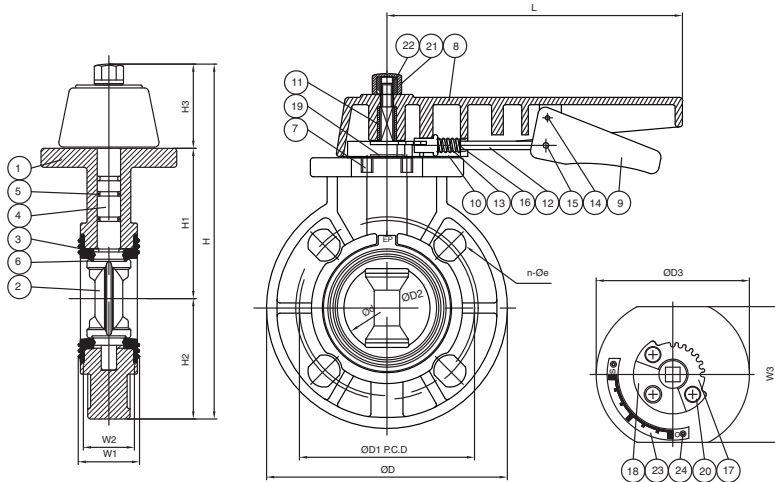
### **Options**

- Gear Operators
- Actuation Available
- Type 316 SS or 304 SS Stems



## Technical Information

### Lever Handle Operator



### Parts List Lever Handle Operator Butterfly Valves

- |                     |                       |
|---------------------|-----------------------|
| 1. Body             | 13. Spring            |
| 2. Disc             | 14. Spring Pin        |
| 3. Seat Seal        | 15. Spring Pin        |
| 4. Stem             | 16. Washer            |
| 5. Stem O-Ring      | 17. Locking Plate     |
| 6. Disc O-Ring      | 18. Gear Seat         |
| 7. Insert Nut 2"-6" | 19. Stem Washer 2"-5" |
| 8. Large Handle     | 20. Bolt              |
| 9. Small Handle     | 21. Nut               |
| 10. Spring Lock     | 22. Insert Nut        |
| 11. Handle Insert   | 23. Level             |
| 12. Handle Lever    | 24. Rivet             |

### Dimensions - Inches / Millimeters (Lever Handle Operator)

Size	D1	n-Øe	D	D2	D3	L	H	H1	H2	H3	W1	W2	W3
2 / 50	4.76 / 121	4-19	6.50 / 165	2.22 / 56.5	4.13 / 105	7.83 / 199	9.78 / 248.5	4.06 / 103	3.25 / 82.5	2.48 / 63	1.69 / 43	1.38 / 35	3.70 / 94
2-1/2 / 65	5.51 / 140	4-19	7.28 / 185	2.74 / 69.5	4.72 / 120	7.83 / 199	10.53 / 267.5	4.45 / 113	3.64 / 92.5	2.44 / 62	1.81 / 46	1.42 / 36	3.70 / 94
3 / 80	5.98 / 152	4-19	7.87 / 200	3.13 / 79.5	4.84 / 123	7.83 / 199	10.91 / 277	4.53 / 115	3.94 / 100	2.44 / 62	1.81 / 46	1.42 / 36	3.70 / 94
4 / 100	9.25 / 191	8-19	9.02 / 229	4.04 / 102.5	5.31 / 135	9.92 / 252	12.44 / 316	5.33 / 135.5	4.51 / 114.5	2.60 / 66	2.20 / 56	1.85 / 47	3.94 / 100
5 / 125	8.50 / 216	8-22	10.12 / 257	5.12 / 130	6.46 / 164	11.69 / 297	14.70 / 373.5	6.50 / 165	5.06 / 128.5	3.15 / 80	2.72 / 69	2.24 / 57	4.33 / 110
6 / 150	9.49 / 241	8-22	11.22 / 285	6.02 / 153	6.65 / 169	11.69 / 297	15.93 / 404.5	6.97 / 177	5.61 / 142.5	3.27 / 83	2.78 / 70.5	2.44 / 62	3.94 / 100
8 / 200	11.73 / 298	8-22	13.50 / 343	7.99 / 203	7.91 / 201	11.69 / 297	18.29 / 464.5	8.27 / 210	6.75 / 171.5	3.27 / 83	3.35 / 85	2.99 / 76	4.80 / 122

### Selection Chart

Size	Body Material	Disc Material	Stem Material*	Liner	Operator	Pressure Rating
2" to 8"	PVC, CPVC, PPL, & PVDF	CPVC, PPL, & PVDF	410 SSSL	FPM or EPDM	Lever	150 PSI @ 70°F Non-Shock

\*Type 316 SS or 304 SS stems available. Consult factory.

#### Pressure Loss Calculation Formula

$$\Delta P = \left[ \frac{Q}{Cv} \right]^2$$

ΔP = Pressure Drop  
Q = Flow in GPM  
Cv = Flow Coefficient

### Operating Temperature/Pressure

