

Newco®

Cast Steel Bolted Cover Swing Check Valves

Manufactured by Newmans™

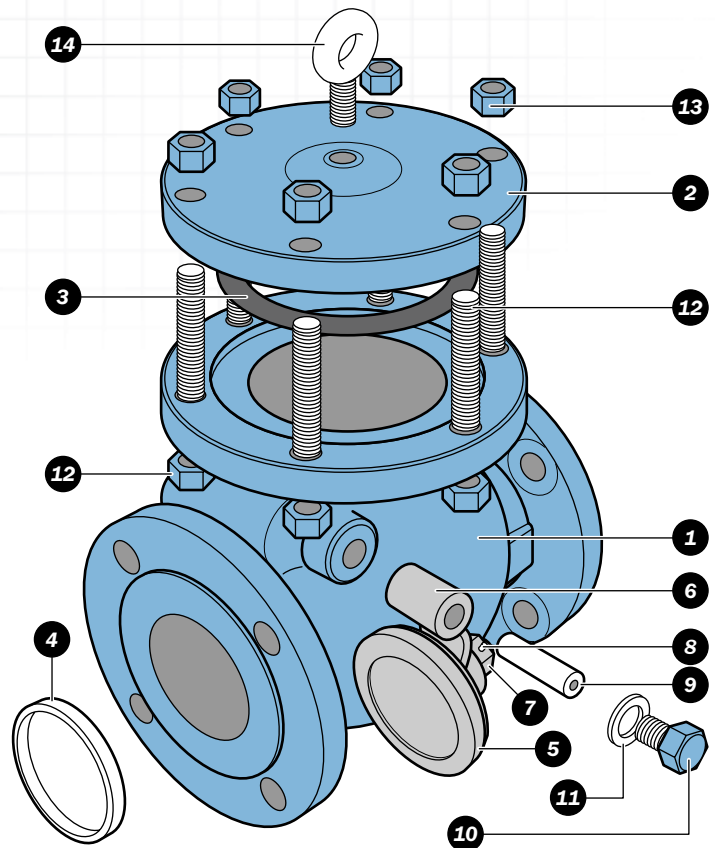
Sizes: 2" thru 24" • Pressure Class: 150 thru 1500



Typical Newco Cast Steel Bolted Cover Swing Check Valve Expanded View

Note: Classes 150 & 300 uses external hinge pin

- 1. Body:** Newco cast steel bodies provide low resistance flow and optimum strength and performance.
- 2. Cover:** The cover allows access to internal components.
- 3. Cover Gasket:** The cover gasket creates a leakproof seal between the bonnet and body.
- 4. Seat Ring:** To ensure a stable shutoff, the seat ring is aligned and seal-welded into the valve, then precision ground for optimal seating.
- 5. Disc:** The disc allows uni-directional flow and restricts back flow with trouble free shutoff.
- 6. Swing Arm:** The swing arm allows the disc to open and close.
- 7. & 8. Disc Nut & Pin:** The disc nut and pin secures the disc to the swing arm.
- 9. Hinge Pin:** The hinge pin provides a stable mechanism for the swing arm to operate.
- 10. Plug:** The plug secures the arm pin inside the valve.
- 11. Plug Gasket:** The plug gasket creates a leak-proof seal between the plug and body.
- 12. & 13. Cover Studs & Nuts:** The cover studs and nuts secure the bonnet to the body.
- 14. Eyebolt:** The eyebolt is use to aid in lifting the valve.



Cast Steel Bolted Cover Swing Checks

Styles: CB2, CB3, & CB4/2

Class: 150 - Sizes: 2" thru 24"

Pressure Class Range: 150 thru 1500

Design and Manufacturing Standards

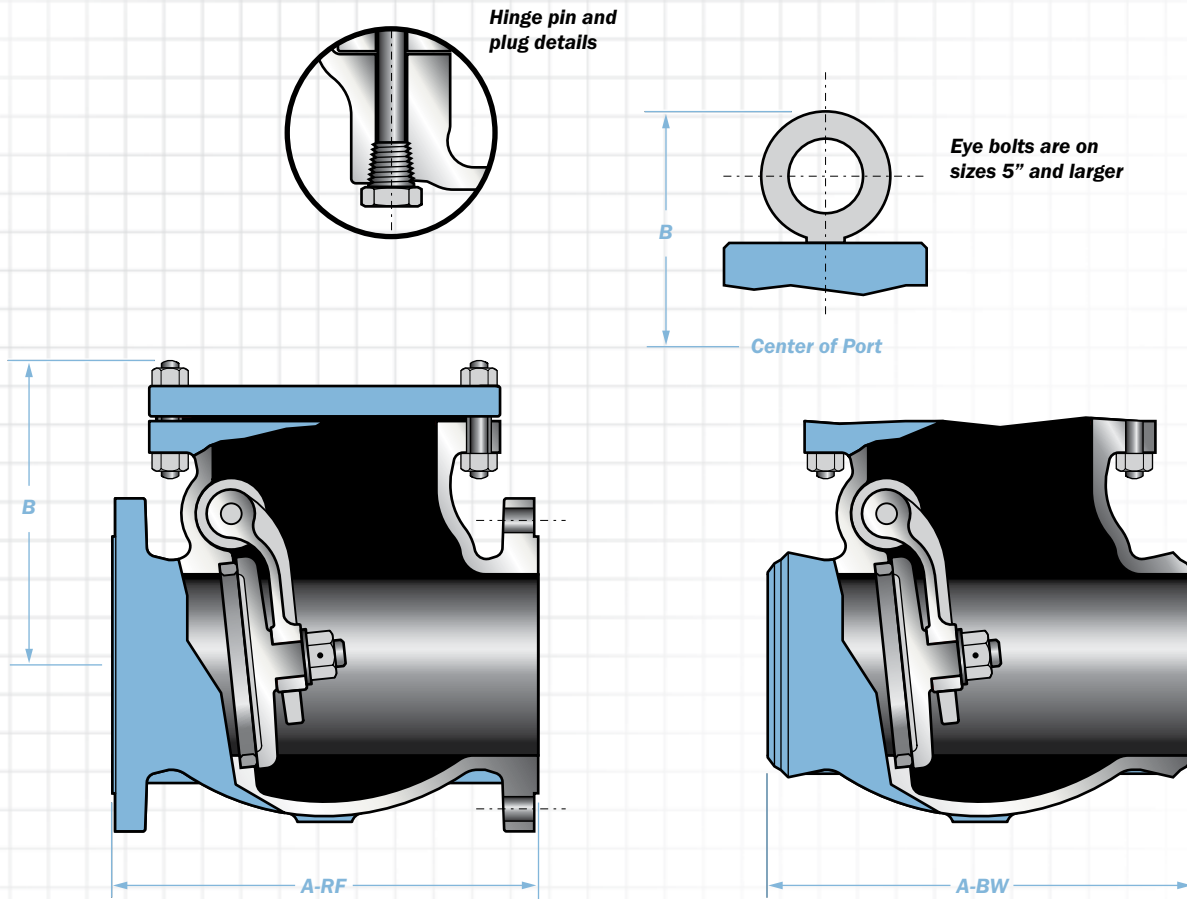
Valve Design: ASME B16.34/API 600

Flange Dimensions: ASME B16.5, B16.47 (Series A)

Face-to-Face Dimensions: ASME B16.10

Tested in Accordance with: API 598

Recommended Spare Parts*



Typical Bill of Materials (See page 5 for available materials.)

Component	CB2	CB3	CB4/2	Component	CB2	CB3	CB4/2
Body	ASTM A216-WCB			Name Plate	304 Stainless Steel		
Cover	ASTM A105N			Plug Gasket	Stainless Steel		
Disc 2" thru 5"	ASTM A182-F6a	ASTM A182-F6a /HF	ASTM A182-F316/HF	Cover Bolt	ASTM A193-B7	ASTM A193-B7M	
Disc 6" and larger	ASTM A216-WCB /13% Chrome	ASTM A216-WCB/HF	ASTM A216-WCB/316 Faced	Cover Nut	AISI 1020		
Swing Arm	ASTM A216-WCB			Plug	ASTM A276-410	ASTM A276-316	
Seat Ring	ASTM A105			Disc Pin	ASTM A276-316		
*Cover Gasket	Spiral Wound 316 Stainless Steel/Graphite			Disc Nut	A194-8		
Hinge Pin	ASTM A276-410		ASTM A276-316	Eye Bolt 5" thru 24"	Carbon Steel		

Class 150

Size	nps	2	2.5	3	4	5	6	8	10	12	14	16	18	20	24
A-RF	in	8.0	8.5	9.5	11.5	13.0	14.0	19.5	24.5	27.5	31.0	34.0	38.5	38.5	51.0
	mm	203	216	241	292	330	356	495	622	699	787	864	978	978	1295
A-BW	in	8.0	8.5	9.5	11.5	13.0	14.0	19.5	24.5	27.5	31.0	34.0	38.5	38.5	51.0
	mm	203	216	241	292	330	356	495	622	699	787	864	978	978	1295
B	in	6.8	7.4	7.7	8.5	12.3	12.8	14.3	17.2	17.9	19.6	21.2	24.2	27.4	30.0
	mm	173	188	196	216	315	325	363	437	455	498	538	615	696	762
RF	lbs	36	51	64	98	135	181	298	463	688	898	1147	1367	1808	2866
Wt.	kg	16	23	29	45	61	398	135	210	313	408	521	621	822	1308
BW	lbs	29	38	49	73	110	146	243	421	591	766	979	1190	1585	2250
Wt.	kg	13	17	22	33	50	66	110	191	269	348	445	541	720	1123

Note: Dimensions: Inches/Millimeters - Weights: Pounds/Kilograms. Larger sizes available on request. Dimensions are subject to change without notice.

Cast Steel Bolted Cover Swing Checks

Styles: CB2, CB3, & CB4/2

Class: 300 - Sizes: 2" thru 24"

Pressure Class Range: 150 thru 1500

Design and Manufacturing Standards

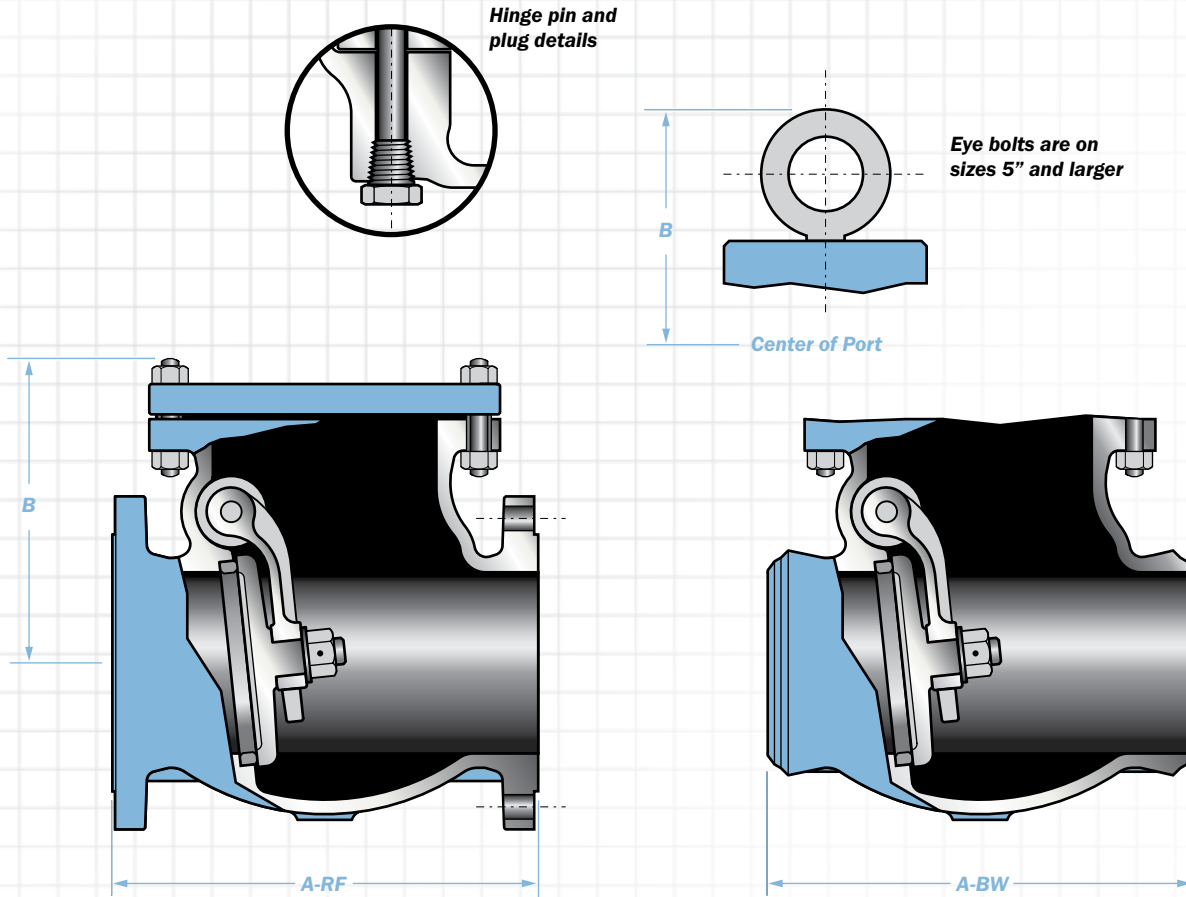
Valve Design: ASME B16.34/API 600

Flange Dimensions: ASME B16.5, B16.47 (Series A)

Face-to-Face Dimensions: ASME B16.10

Tested in Accordance with: API 598

Recommended Spare Parts*



Typical Bill of Materials (See page 5 for available materials.)

Component	CB2	CB3	CB4/2	Component	CB2	CB3	CB4/2
Body	ASTM A216-WCB			Name Plate	304 Stainless Steel		
Cover	ASTM A105N			Plug Gasket	Stainless Steel		
Disc 2" thru 5"	ASTM A182-F6a	ASTM A182-F6a /HF	ASTM A182-F316/HF	Cover Bolt	ASTM A193-B7		ASTM A193-B7M
Disc 6" and larger	ASTM A216-WCB /13% Chrome	ASTM A216-WCB/HF	ASTM A216-WCB/316 Faced	Cover Nut	ASTM A276-410		ASTM A276-316
Swing Arm	ASTM A216-WCB			Plug	AISI 1020		
Seat Ring	ASTM A105			Disc Pin	ASTM A276-316		
*Cover Gasket	Spiral Wound 316 Stainless Steel/Graphite			Disc Nut	A194-8		
Hinge Pin	ASTM A276-410		ASTM A276-316	Eye Bolt 5" thru 24"	Carbon Steel		

Class 300

Size	nps	2	2.5	3	4	5	6	8	10	12	14	16	18	20	24
A-RF	in	10.5	11.5	12.5	14.0	15.75	17.5	21.0	24.5	28.0	33.0	34.0	38.5	40.0	53.0
	mm	267	292	318	356	400	445	533	622	711	838	864	978	1016	1346
A-BW	in	10.5	11.5	12.5	14.0	15.75	17.5	21.0	24.5	28.0	33.0	34.0	38.5	40.0	53.0
	mm	267	292	318	356	400	445	533	622	711	838	864	978	1016	1346
B	in	7.6	8.3	8.9	9.8	13.3	14.0	15.9	18.7	21.9	23.1	25.2	28.6	30.2	33.6
	mm	193	211	226	249	338	356	404	475	556	587	640	726	767	853
RF	lbs	58	86	95	144	232	283	433	694	1003	1345	1720	2271	2888	4718
Wt.	kg	26	39	43	65	105	129	197	315	456	611	782	1032	1313	2145
BW	lbs	44	55	78	103	185	214	341	562	815	1087	1397	1873	2400	3995
	kg	20	25	35	47	84	97	155	255	370	494	635	851	1091	1816

Note: Dimensions: Inches/Millimeters - Weights: Pounds/Kilograms. Larger sizes available on request. Dimensions are subject to change without notice.