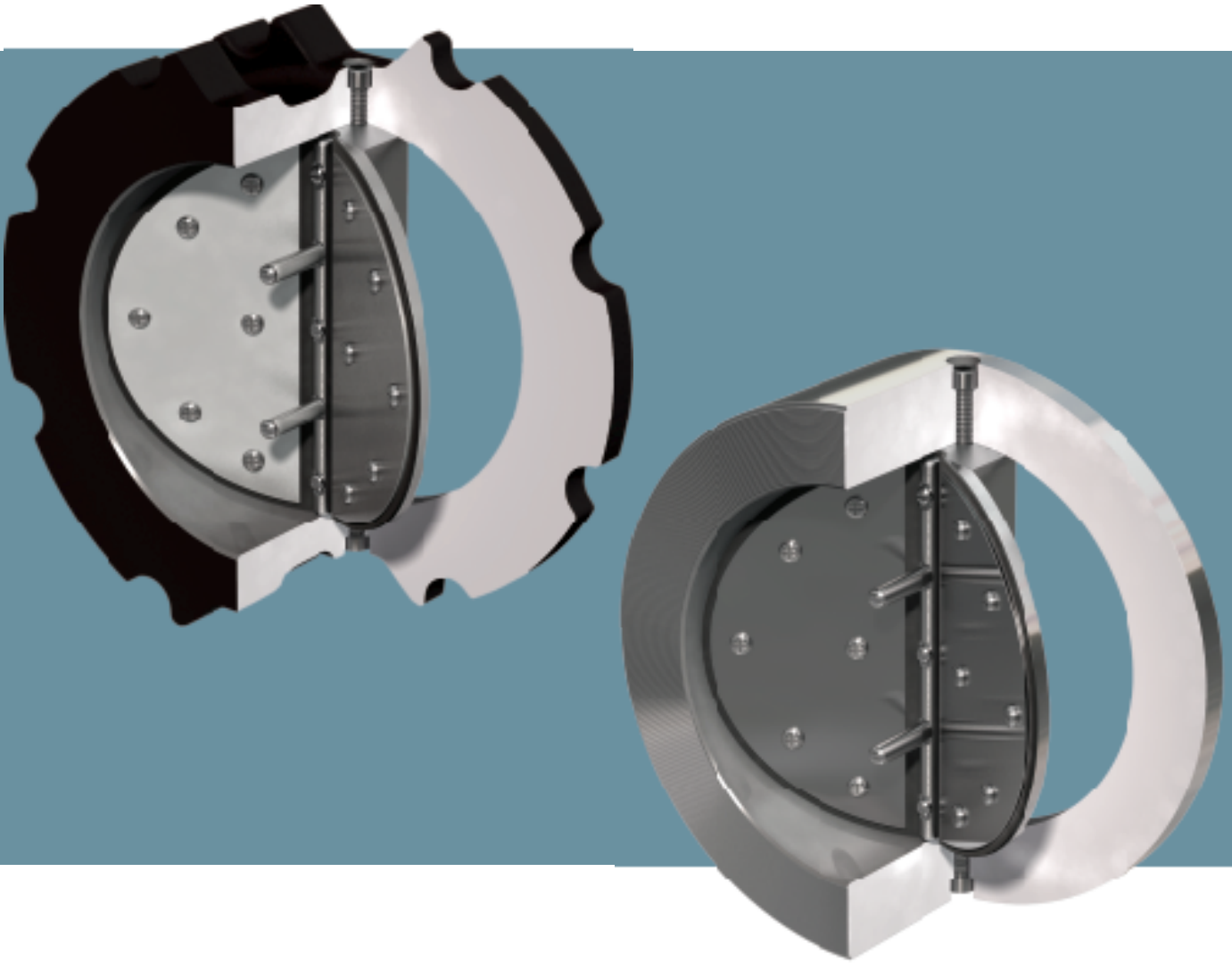


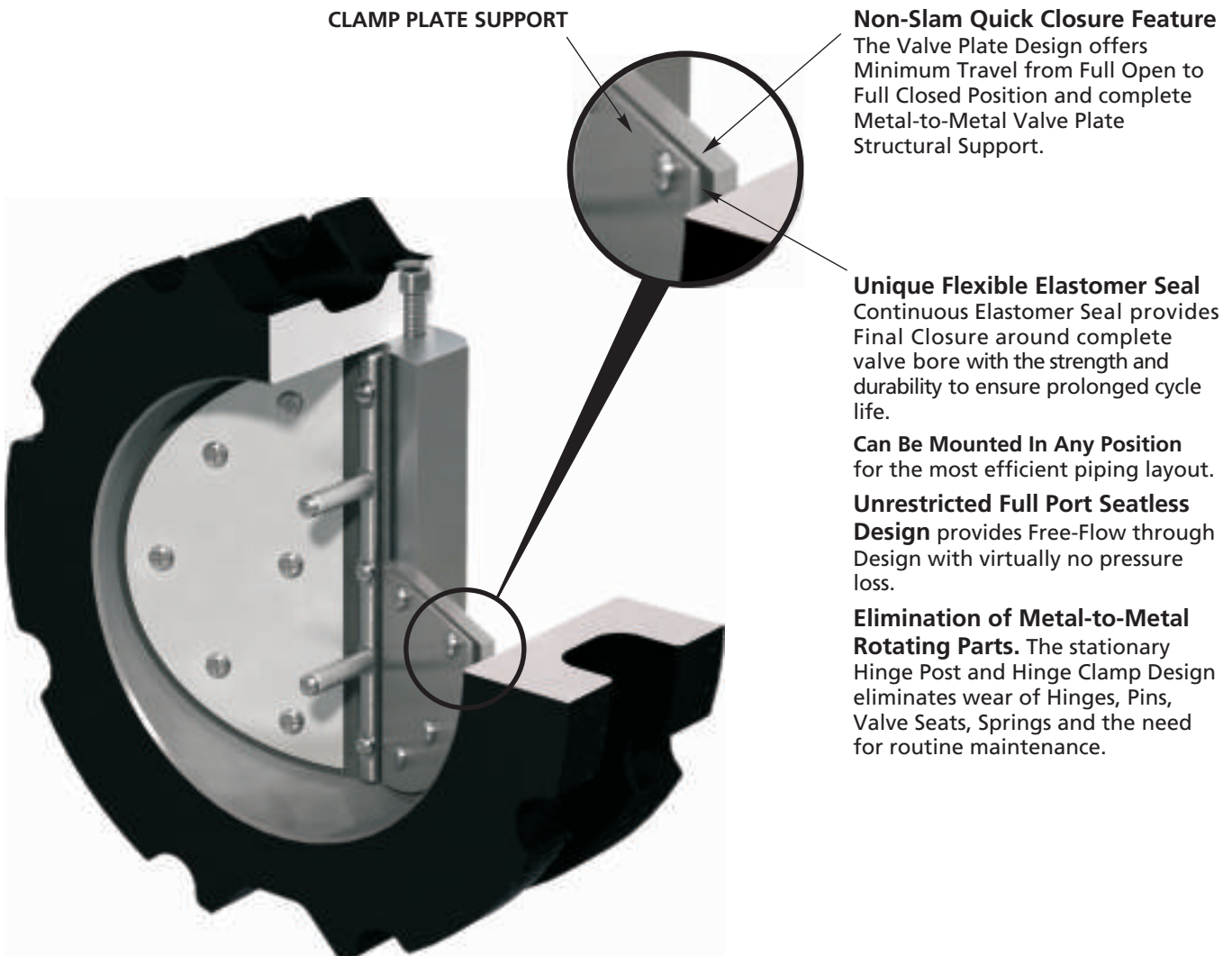
# TECHNO™ Short Form Wafer Style Check Valves



**TECHNO™**

## SHORT FORM WAFER STYLE CHECK VALVES

### Technocheck Short Form (SF), Cost Efficient, Reliable, "Wafer Style" Check Valve



**Non-Slam Quick Closure Feature**  
The Valve Plate Design offers Minimum Travel from Full Open to Full Closed Position and complete Metal-to-Metal Valve Plate Structural Support.

**Unique Flexible Elastomer Seal**  
Continuous Elastomer Seal provides Final Closure around complete valve bore with the strength and durability to ensure prolonged cycle life.

**Can Be Mounted In Any Position**  
for the most efficient piping layout.

**Unrestricted Full Port Seatless Design** provides Free-Flow through Design with virtually no pressure loss.

**Elimination of Metal-to-Metal Rotating Parts.** The stationary Hinge Post and Hinge Clamp Design eliminates wear of Hinges, Pins, Valve Seats, Springs and the need for routine maintenance.

TECHNO has been a leading supplier of high quality check valves to all phases of industry for many years. Thousands of TECHNO products are presently in service demonstrating an outstanding performance record.

Exclusive Technocheck design combined with an extensive selection of materials result in exceptionally high performance and reliability for most liquid and gaseous applications.

The Short Form (SF) Technocheck split disc wafer style check valve offers compact design along with heavy duty construction.

TECHNO's scalloped body design assures proper and easy alignment between mating gaskets and line flanges. It offers strength and eliminates the need for expensive supports, expansion joints and foundations that may be necessary with a conventional check valve.

Our unique design combined with many years of experience allows us to satisfy the most difficult applications.

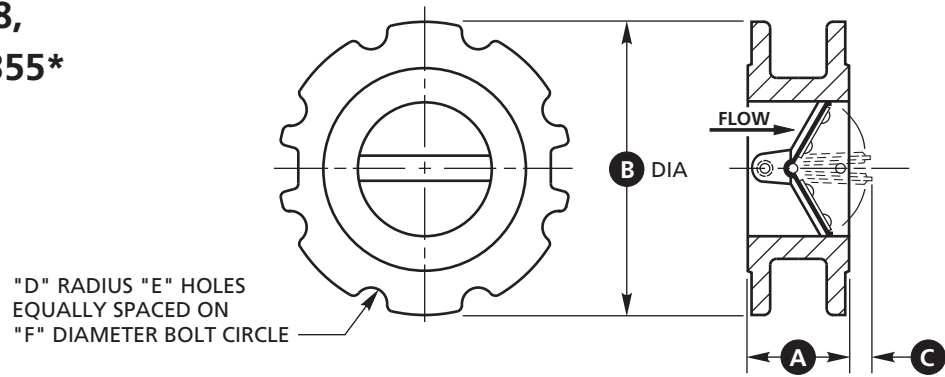
Specials available upon request.

CERTIFICATIONS



# TECHNO SHORT FORM WAFER STYLE CHECK VALVES

## STYLES 5412, 5118, 5831-F, 5831-R, 5355\* AND 5355-316



### GENERAL DIMENSIONS FOR STYLES 5412, 5118, 5831-F, 5831-R, 5355\* AND 5355-316

VALVE SIZE in.	A	B	C	D	E	F
2	1 3/8	4 3/4	1/2	3/8	4	4 3/4
2 1/2	1 5/8	5 1/2	9/16	3/8	4	5 1/2
3	1 7/8	6	11/16	3/8	4	6
4	2 3/8	7 1/2	7/8	3/8	8	7 1/2
5	2 7/8	8 1/2	1 1/8	7/16	8	8 1/2
6	3 3/8	9 1/2	1 1/2	7/16	8	9 1/2
8	4 3/8	11 3/4	2 1/4	7/16	8	11 3/4
10	5 3/8	14 1/4	2 1/2	1/2	12	14 1/4
12	6 3/8	17	3	1/2	12	17
14	7 3/8	18 3/4	3 1/4	9/16	12	18 3/4
16	8 3/8	21 1/4	3 3/4	9/16	16	21 1/4
18	9 3/8	22 3/4	4 1/4	5/8	16	22 3/4
20	10 3/8	25	4 3/4	5/8	20	25
24	12 3/8	29 1/2	5 3/4	11/16	20	29 1/2
30	15 3/8	36	7 3/4	11/16	28	36
36	18 3/8	42 3/4	8 1/2	13/16	32	42 3/4
42	21 3/8	49 1/2	9 1/2	13/16	36	49 1/2
48	24 3/8	56	11 1/2	13/16	44	56
54	27 3/8	62 3/4	13	15/16	44	62 3/4
60	30 3/8	69 1/4	14	15/16	52	69 1/4
66	33 3/8	76	15	15/16	52	76
72	36 3/8	82 1/2	16 1/2	15/16	60	82 1/2

\*For sizes 2 inch - 8 inch see style 5296 on page 4.

### STANDARD MODELS AND MATERIALS

STYLE	BODY	INTERNALS	FLANGE CLASS	CWP psi
5412	Aluminum	Aluminum	125 (FF)	125
5118	Cast Iron	Aluminum	125 (FF)	125
5831-F	Bronze	Brass	125 (FF)	150
5831-R	Bronze	Brass	150 (RF)	150
5355*	Steel	Plated Steel	150 (RF)	150
5355-316	316 Stainless Steel	316 Stainless Steel	150 (RF)	150

Standard Elastomer: Buna-N (FF) = Flat Face, (RF) = Raised Face

### OPTIONAL MATERIAL SELECTION

#### Internal Materials

- Aluminum
- Brass
- 316 Stainless Steel
- Plated Steel

#### SEALING MEMBER MATERIALS

Material	Temperature Range*
• Buna-N	-60°F to 225°F
• Neoprene	-40°F to 225°F
• EPDM	-40°F to 300°F
• Viton	-20°F to 400°F
• Silicone	-100°F to 500°F

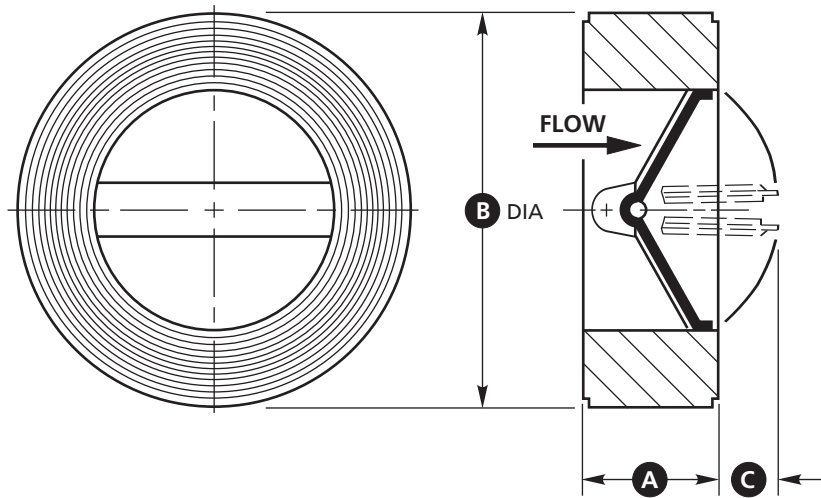
\* This temperature range is for general guidance. The figures may vary with application.

#### SPRING MATERIAL

- 302 Stainless Steel

## SHORT FORM WAFER STYLE CHECK VALVES STYLE 5296

\*Two through eight inch (2" - 8") Style 5355 valves with Carbon Steel Bodies are known as Style 5296. They are rated at 150 psi cold working pressure and have Raised Face Ends. Bodies are made from solid round material and do not have the scalloped edges like the 5355 which is produced from a casting. The outside diameter is made to fit within the bolting pattern of ASME 150# flanges. The 5296 may sometimes be offered in other materials if delivery is critical and casting lead times are prohibitive. Consult factory for details.

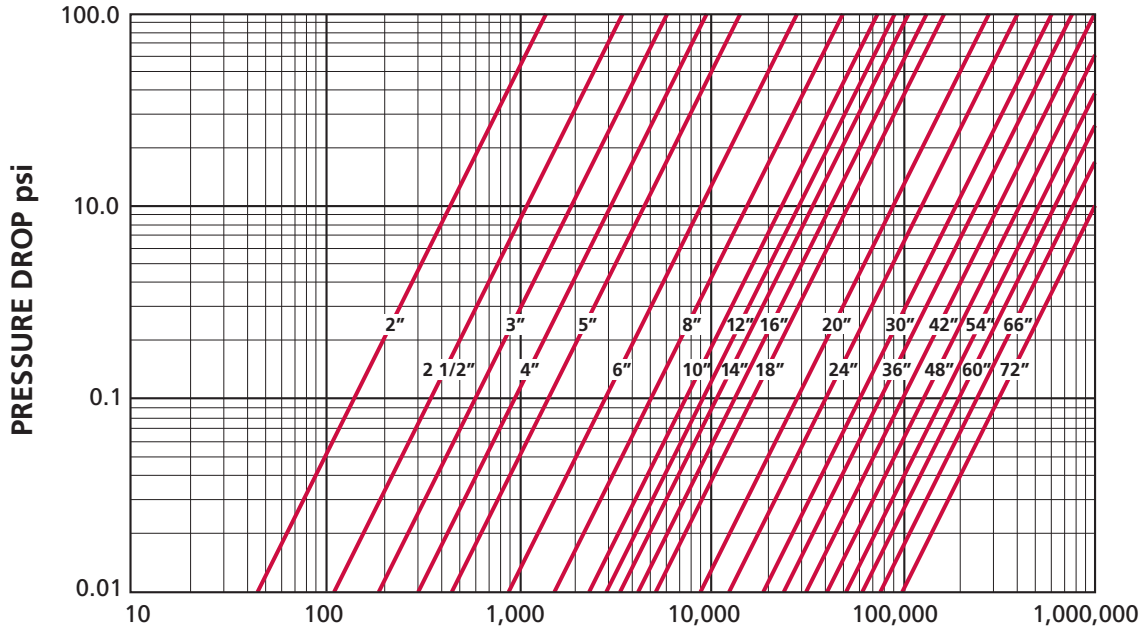


**GENERAL DIMENSIONS FOR STYLE 5296**

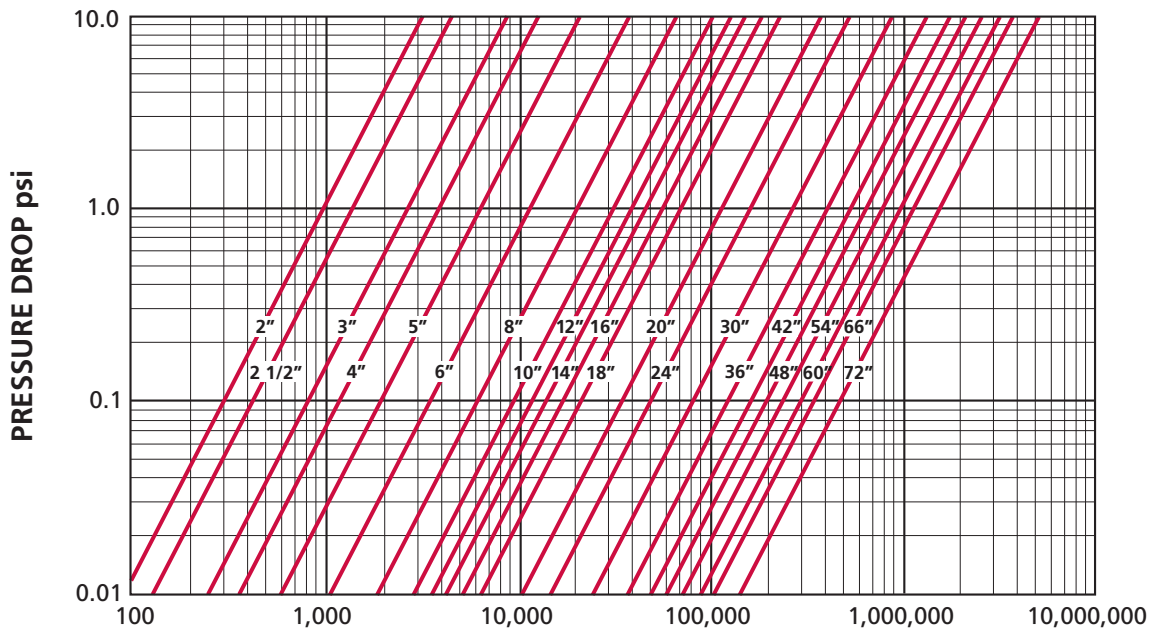
VALVE SIZE in.	A	B	C
1	1 3/8	2 5/8	1/16
1 1/4	1 3/8	3	1/4
1 1/2	1 3/8	3 3/8	5/16
2	1 3/8	4 1/8	1/2
2 1/2	1 5/8	4 7/8	9/16
3	1 7/8	5 3/8	11/16
4	2 3/8	6 7/8	7/8
5	2 7/8	7 3/4	1 1/8
6	3 3/8	8 3/4	1 1/2
8	4 3/8	11	2 1/4
10	5 3/8	13 3/8	2 1/2
12	6 3/8	16 1/8	3
14	7 3/8	17 3/4	3 1/4

# TECHNO FULL FLANGED CHECK VALVES

## PRESSURE DROP CHARTS FOR WATER AND AIR SERVICE



FLOW OF WATER AT 70° IN G.P.M.



AIR FLOW AT 70° IN S.C.F.M.

TRADEMARK INFORMATION

**VALVES & MEASUREMENT**

3250 Briarpark Drive, Suite 300  
Houston, Texas 77042  
USA Toll Free 800 323 9160

For the most current contact and location information go to: [www.c-a-m.com/valvesandmeasurement](http://www.c-a-m.com/valvesandmeasurement)