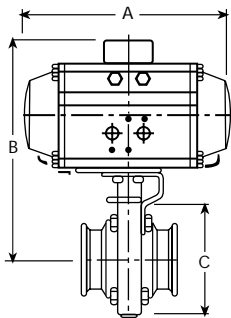


Item	Qty	Description	CF8M (316SS)	CF8 (304SS)
01	02	Body	ASTM A351 Gr CF8M	ASTM A351 Gr CF8
* 02	01	Butterfly	ASTM A351 Gr CF8M	ASTM A351 Gr CF8M
* 03	01	Seal	EPDM/SILICONE/VITON	EPDM/SILICONE/VITON
04	04	Bolt	AISI 304	AISI 304
05	04	Nut	AISI 304	AISI 304
06	01	Cap	ASTM A351 Gr CF8	ASTM A351 Gr CF8
07	01	Adapter	ASTM A351 Gr CF8	ASTM A351 Gr CF8
08	01	Handle	AISI 304	AISI 304
09	01	Spring	AISI 302	AISI 302
10	01	Bolt	AISI 304	AISI 304
11	01	Handle	POLYPROPYLENE	POLYPROPYLENE

\* Spare parts.

SIZE	DIMENSIONS (Inches)												MAXIMUM WORKING PRESSURE PSI	
	A	B	C	D								øE		øF
				BWE	CLAMP	2M	DIN	MNP	2M	RJT	MNP			
1"	2.80	2.53	4.72	1.58	2.58	84	82	94	80	70	66.5	0.88	1.00	150
1 1/2"	3.35	2.80	4.72	1.97	2.97	94	92	104	90	90	83.0	1.38	1.50	150
2"	3.90	3.06	4.72	1.97	2.97	94	92	104	90	90	83.0	1.88	2.00	150
2 1/2"	4.41	3.31	4.72	1.97	2.97	100	99	104	90	98	87.0	2.38	2.50	150
3"	4.88	3.54	5.91	1.97	2.97	110	108	104	90	98	88.0	2.84	3.00	150
4"	5.91	5.91	5.91	1.97	3.21	110	112	113	107	120	101.0	3.84	4.00	120



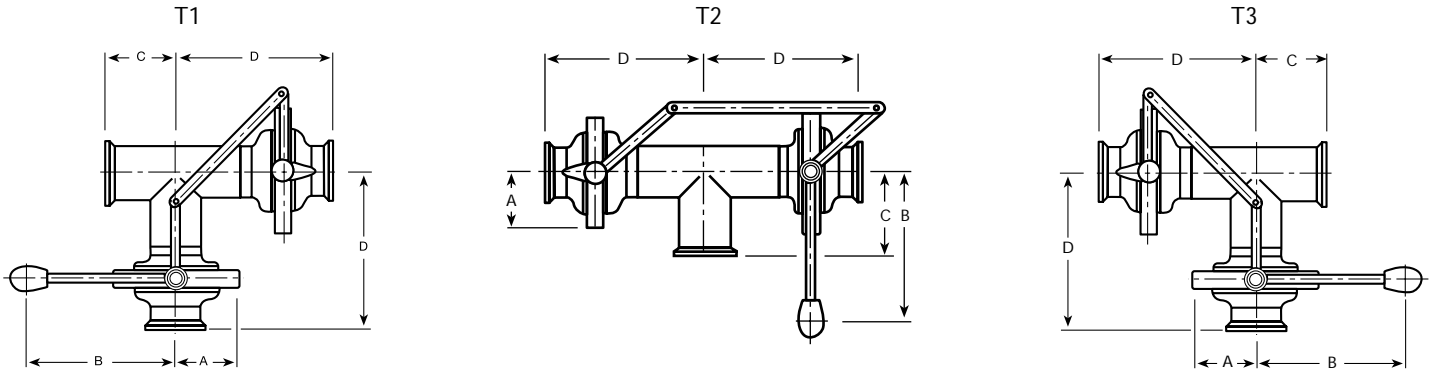
SIZE	VALVE DIMENSIONS WITH ACTUATOR								
	A				B				C
	AT 50 D	AT 100D	AT 200S	AT 250 S	AT 50 D	AT 100 D	AT 200S	AT 250 S	
1"	5.51	6.22	8.27	-	6.02	6.89	7.56	-	2.80
1 1/2"	5.51	6.22	8.27	-	6.38	7.17	7.87	-	3.35
2"	5.51	6.22	8.27	-	6.38	7.48	8.11	-	3.90
2 1/2"	5.51	6.22	8.27	-	6.69	7.68	8.35	-	4.39
3"	5.51	6.22	8.27	-	6.77	7.95	8.66	-	4.88
4"	5.51	6.22	-	9.76	7.40	8.43	-	9.65	5.89

Spring Return (S) or Double Acting (D).



- Testing: BS 6755: Part I, ISO 5208, MSS SP-72
- Materials: Stainless Steel CF8 (304), CF8M (316) and CF3M (316L).
- Surface Finish: Standard finishing and polishing to 3A standard with roughness Ra 0,8 µm. Electropolish is available optionally.
- Temperature Limits:

Seal Material	Silicone	-	-50 to 400°F
	EPDM	-	-40 to 300°F
	Viton	-	0 to 400°F



#### MULTIWAY VALVES, TYPES T1/T2/T3

SIZE	A	B	C				D			
			CLAMP	DIN	RJT	SMS	CLAMP	DIN	RJT	SMS
1"	1.40	4.72	2.47	72	77,0	65	4.04	112	117	105
1 1/2"	1.67	4.72	3.14	89	94,0	87	5.11	139	144	137
2"	1.95	4.72	3.33	94	99,0	92	5.30	144	149	142
2 1/2"	2.20	4.72	3.85	110	112,0	109	5.81	160	162	159
3"	2.44	5.91	4.36	128	125,0	122	6.33	178	175	172
4"	2.95	5.91	4.99	141	142,0	146	6.96	191	193	196

#### HOW TO SPECIFY

Series	Material Body + Butterfly	Ends	Ends Inlet / Outlet		Seal Material	Size	Type of Operator
992	4 - 304 6 - 316 7 - 316L *	1- TRI-CLAMP 2 - DIN 4 - RJT 5 - SMS	1 -CLAMP	1 - CLAMP	2 - EPDM 3 - SILICONE 4 - VITON	10 - 1" 15 - 1.1/2" 20 - 2" 25 - 2.1/2" 30 - 3" 40 - 4"	1 - HANDLE 5 - ACTUATOR

\* Special order item. Consult factory.

Example: 992.6.1.11.2.20.1

Series 992 Sanitary butterfly valve, 316SS body and butterfly, Tri-clamp ends, EPDM seal, Size 2" with Handle Operator.

992	6	1	1	1	2	20	1
-----	---	---	---	---	---	----	---

#### Lupatech N.A. - Valmicro Division

72 Jefferson Street, Marlborough, MA 01752 Tel: 508-624-4330 Fax: 772-619-0119 E-mail: sales@lupatech.com  
Website: www.lupatech.com

Lupatech S.A. - Valmicro Division: Rua Dalton Lahm Dos Reis, 201-CP, 1215 - Distrito Industrial 95112-090  
Caxias Do Sul - RS - Brasil Tel: (55) 54 227 7000 E-mail: export@valmicro.com.br