

1/2" – 2"; 140 PSI (PVC, PP, PVDF), 230 PSI (SS, Brass)



Advantages / Benefits

- ▶ Easy System integration by Easy LINK provides low cost of ownership
- ▶ Easy commissioning with multi-language, menu-guided operation
- ▶ TEACH-IN: automatic calibration for specific installations
- ▶ Displays both flow rate and volume (2 totalizers)
- ▶ Simulation: All output signals provided without actual flow
- ▶ Options:
 - 2 Alarm relays
 - Pulse output on relay reed
 - Power supply 115/230 VAC
 - 9 VDC battery version
- ▶ Fittings available for all standard fluid interfaces
- ▶ CE Approval

Design

The inline rotor flow transmitter for continuous flow measurement and batch control, is specially designed for use in neutral and aggressive, solid-free liquids.

The transmitter is made of a compact fitting and an electronic- module quickly and easily connected together by a bayonet connection.

The Burkert designed fitting system (PVC, PP, PVDF, 316L Stainless Steel, Brass) ensures simple installation of the transmitters into all pipes from DN 15 to DN 50 (1/2" to 2").

The display and menu-guided operating elements allow a customized adjustment of all measuring parameters:

- multi-language
- various engineering units
- customized measuring ranges
- teaching mode; simulation mode

Flow Transmitter

- 4-20mA standard output signal
- Pulse output (NPN, PNP or reed)
- Local flow display
- 2 totalizers display
- 2 programmable switch points (optional)

Flow Switch

- 2 programmable switch points

Stand Alone (Battery)

- Battery powered
- 2 totalizers display
- Local flow display

Batch Controller

- 2 totalizers display
- 2 programmable switch points
- 3 dosing modes:
 - Local
 - External (via binary inputs)
 - Time proportional (via PLC)

Applications

Flow Measurement & Dosing Control

Water treatment and process technology

Cooling water monitoring

Industrial waste water treatment

Auxiliary plants

Irrigation

Ideal system solutions for pure water and chemically aggressive liquids

Burkert Contromatic USA

2602 McGaw Avenue
Irvine, CA 92614
Tel. 949.223.3100
Fax 949.223.3198
www.burkert-usa.com

Burkert Contromatic Inc.

760 Pacific Road, Unit 3
Oakville, Ontario, Canada L6L 6M5
Tel. 905.847.5566
Fax 905.847.9006
www.burkert.ca

burkert
Fluid Control Systems

Digital Flow Transmitter

For Continuous Flow Measurement and Batch Control

Type 8035

INLINE

Design

The compact flow transmitter combines a flow sensor and electronics with display mounted in an NEMA 4 enclosure.

The sensor consists of a transducer and an open-cell inline rotor.

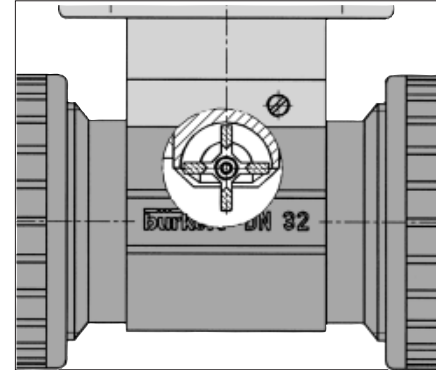
The transmitter converts the measured signal and displays the actual value. The output signals are provided via a 4-pole cable plug with 1/2" conduit connection or via cable gland PG 13.5.

Principle of Operation

When liquid flows through the pipe, the inline rotor rotates inducing a frequency in the transducer, which is proportional to the flow.

The flow transmitter 8035 can receive an optional power supply 230/115 VAC and is also available with 9 VDC battery power supply.

The transmitter measures a flow rate from 1.0 ft/s (0.3 m/s).



Installation

The flow transmitter is made of a compact fitting and an electronic module which can be quickly and easily connected with a "Turn & Lock" rotation.

The recommended inlet and outlet straight pipe length dimensions should be 10xD in and 3xD out, respectively.

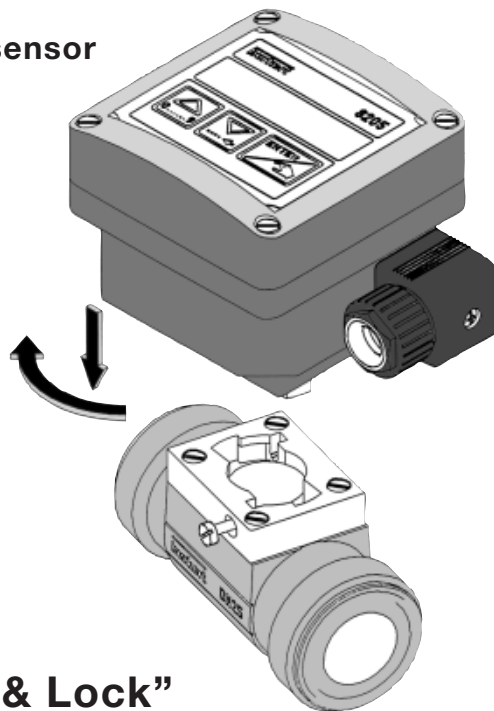
According to the piping system design, necessary distances can be larger or use a flow conditioner to obtain the best accuracy. For more information, please refer to EN ISO 5167-1.

The flow transmitter can be installed in either horizontal or vertical pipes.

The required pipe size is selected using the diagram on the next page. Pressure and temperature ratings must conform to the selected fitting material (see next page).

The flow transmitter is not designed for gas flow measurement.

Easy to install
wireless sensor
to fitting



Burkert "Turn & Lock"

Operation / Commissioning

The device can be calibrated by means of the K-factor, or via the Teach-In function. Customized adjustments, such as measuring range, engineering units, pulse output and filter are selected on site.

Examples of Fitting Selection

The suitable pipe size is selected using the diagram below.

Example 1 :

Specification of nominal flow: 10 m³/h

Ideal flow velocity: 2-3m/s

For these specifications, the diagram indicates a pipe size of DN 40.

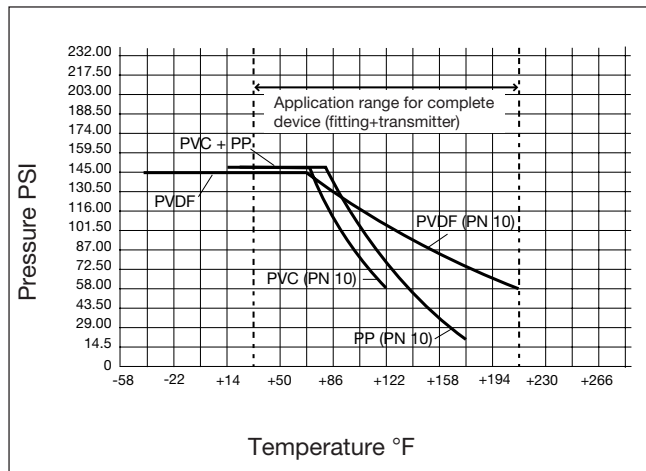
Example 2 :

Specification of nominal flow: 50 gpm

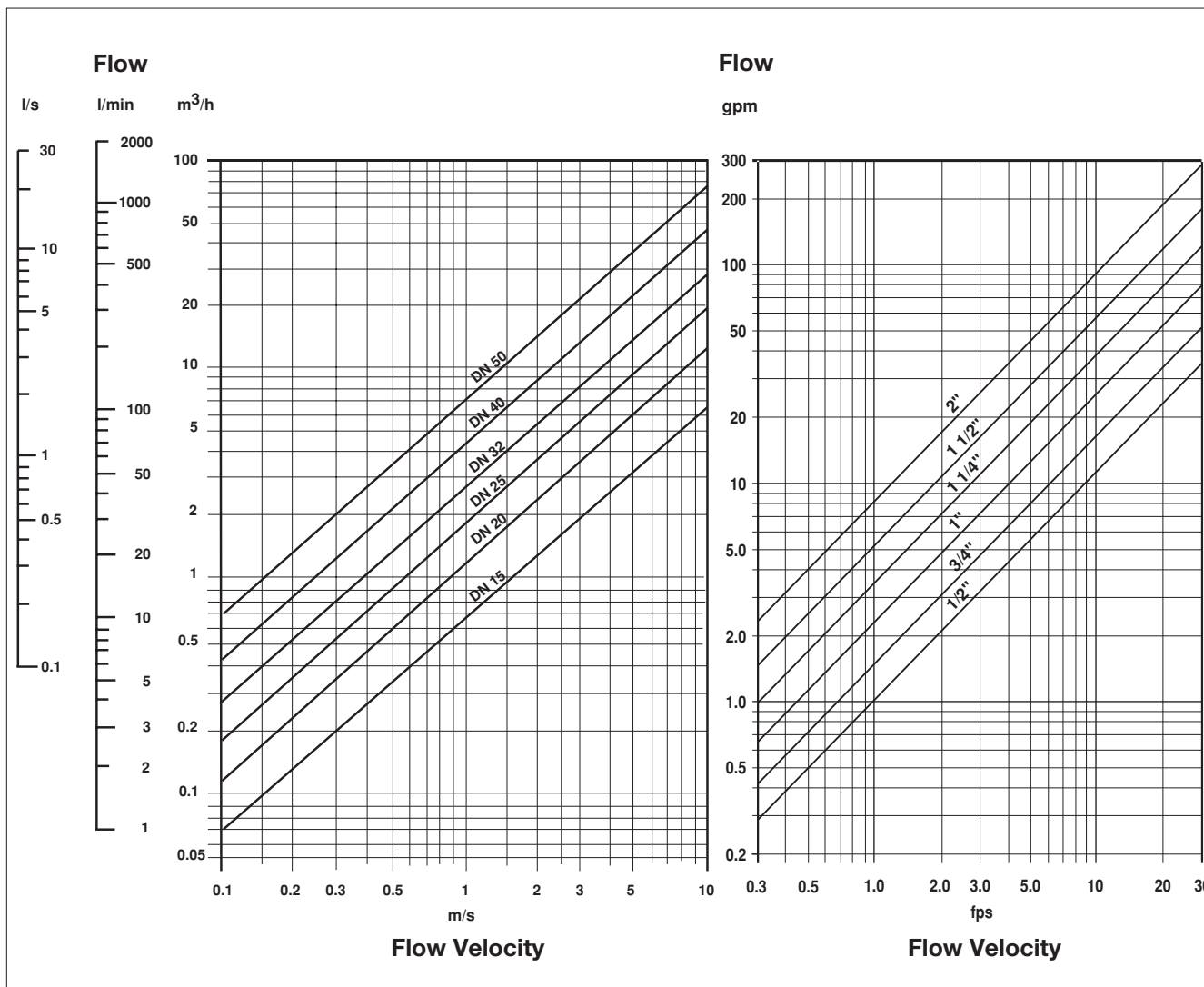
Ideal flow velocity: 8 fps

For these specifications, the diagram indicates a pipe size of 1-1/2".

Pressure-Temperature-Diagram



Flow Rate – Flow Velocity – Pipe Size



Operation and Display

The operation is specified according to two or three levels:

Flow Transmitter :

► **Indication In Operating Mode**

- Flow
- Output current
- Main totalizer
- Daily totalizer and reset function

► **Parameter Definition**

- Language
- Engineering units
- K-factor / Teach-In function
- Measuring range 4-20mA
- Pulse output
- Relay (optional)
- Filter
- Reset of main totalizer

► **Test**

- Alteration of basic adjustment (offset, span)
- Frequency test of sensor
- Flow simulation (dry-run test operation)

Batch Controller :

► **Indication In Operating Mode**

- Main and daily totalizers and reset function
- Dosing amount
- Dosing mode
- Flow

► **Parameter Definition**

- Language
- Engineering units
- K-factor / Teach-In function
- Selection of batching mode
- Over-run correction
- Alarm
- Function mode of relays
- Reset of main totalizer

► **Test**

- Display of state of binary inputs
- Relay test
- Frequency test of sensor

Flow Switch :

► **Indication In Operating Mode**

- Flow

► **Parameter Definition**

- Language
- Engineering units
- K-factor / Teach-In function
- Relay
- Filter

► **Test**

- Frequency test of sensor
- Flow simulation (dry-run test operation)

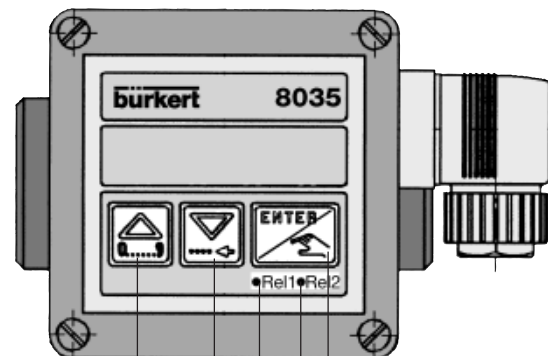
Stand Alone (Battery) :

► **Indication In Operating Mode**

- Main and daily totalizers with reset function
- Flow

► **Parameter Definition**

- Language
- Engineering units
- K-factor / Teach-In function
- Filter
- Reset of main totalizer



Alter numerical value of Selected digit

Run through menu, Select digit

Relay 1 LED (optional)

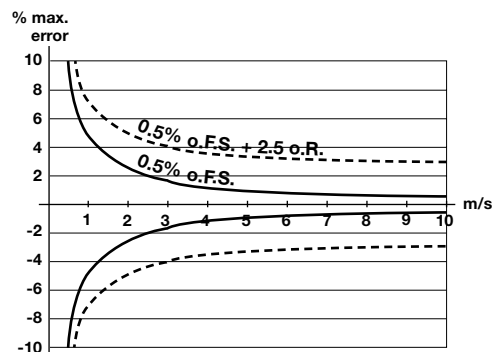
Relay 2 LED (optional)

Confirm input and menu points

Technical Data

General Data

Pipe diameter	From 1/2" to 2" (DN 15 to DN 50)
Measuring range	1.0 fps to 32.8 fps (0.3 m/s to 10 m/s)* As from 0.9 gpm (1/2" pipe, 1.0 fps flow velocity) As from 3 l/min (DN15 pipe, 0.3 m/s flow velocity)
Measuring error	1. With In-line calibration (Teach-In): ≤ ±0.5% o.F.S. (at 33 f/s) (10 m/s)* 2. With standard mean K-factor: ≤ ± (0.5% o.F.S. +2.5% o.R.) *
Linearity	≤ ±0.5% o.F.S. (33 f/s) (at 10 m/s)*
Repeatability	0.4% o.R. *



Fluid temperature max.	Brass and SS: 212°F (100°C) PVC: 122°F (50°C); PP: 176°F (80°C); PVDF: 212°F (100°C)
Ambient temperature	32°F to 140°F (0°C to 60°C)
Storage temperature	32°F to 140°F (0°C to 60°C)
Pressure class	Brass and SS: 230 PSI (PN 16) Plastic: 140 PSI (PN 10)
Enclosure	NEMA 4
Fitting	PVC, PP, PVDF
Sensor holder	PVC, PP, PVDF
Inline rotor	PVDF
Axis and bearing	Ceramic
O-rings	FPM (Viton) standard
Housing	PC
Front plate foil	Polyester

Specific Data: Flow Switch

Voltage supply	12-30 VDC Option: 115/230 VAC power supply
Relay output	Freely programmable, 3A, 230V

Specific Data: Batch Controller

Voltage supply	12-30 VDC Option: 115/230 VAC power supply
Digital inputs	4 inputs, 5-30 VDC
Digital output	1 input, Open collector NPN and PNP, 0-30V, 100mA, protected
Relay output	2 relays, freely programmable, 3A, 230V

Specific Data: Flow Transmitter

Voltage supply	12-30 VDC Option: 115/230 VAC power supply
Output signal	4-20mA
Load	Max. 900 Ω at 30V Max. 500 Ω at 24V Max. 100 Ω at 15V Max. 800 Ω with power supply 115/230VAC
Pulse output	Open collector NPN and PNP, 0 to 30V, 100 mA, protected Option: Relay Reed closing 0.1 sec., opening depending on flow rate 0.1 sec. min. max. 34V, 0.2A
Relay output (optional)	2 relays, freely programmable, 3A, 230V

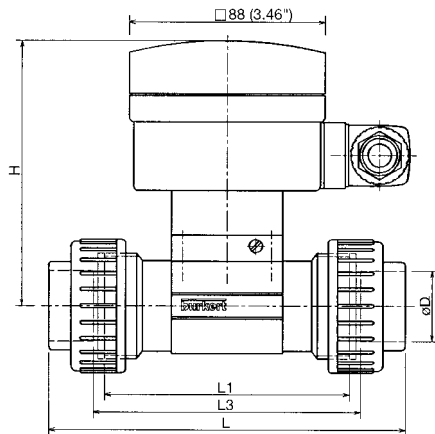
Specific Data: Stand Alone (Battery)

Voltage supply	9 VDC battery supply
Autonomy	3 to 4 years with lithium batteries 1 to 2 years with standard batteries

* Under reference conditions, i.e. measuring fluid = water, ambient and water temperature = 68°F (20°C), applying the minimum inlet and outlet pipe straights, matched inside pipe dimensions
o.R. = of reading
o.F.S. = of full scale (33 f/s) (10 m/s)

Dimensions [mm (inch)]

True Union With Solvent/Fusion Spigot Connections



Dimensions [inch] True union ASTM

Size	Variable dimensions [inch]				
	øD	L	L1	L3	H
9/16"	.84	5.12	3.55	3.78	4.81
3/4"	1.05	5.73	3.94	4.18	4.69
1"	1.31	6.35	4.33	4.57	4.73
1-1/4"	1.66	6.69	4.33	4.57	4.85
1-1/2"	1.90	7.49	4.73	5.00	5.00
2	2.37	8.41	5.12	5.36	5.28

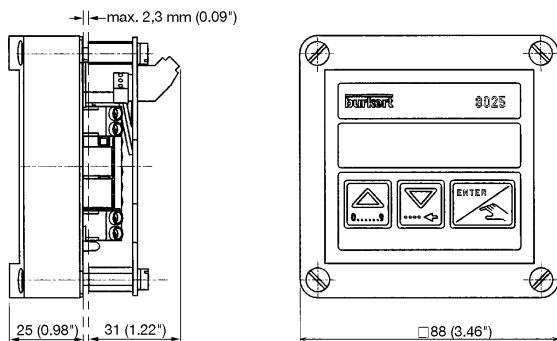
Dimensions [mm] True union ISO

Size	Variable dimensions [mm]				
	øD	L	L1	L3	H
15	20	128	90	96	122
20	25	144	100	106	119
25	32	160	110	116	120
32	40	168	110	116	123
40	50	188	120	127	127
50	63	212	130	136	134

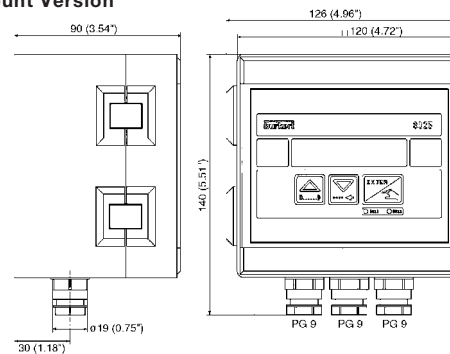
Dimensions [mm] True union JIS

Size	Variable dimensions [mm]				
	øD	L	L1	L3	H
15	18.40	135	90	96	122
20	26.45	151	100	106	119
25	32.55	167	110	116	120
32	38.60	175	110	116	123
40	48.70	196	120	127	127
50	60.80	219	130	136	134

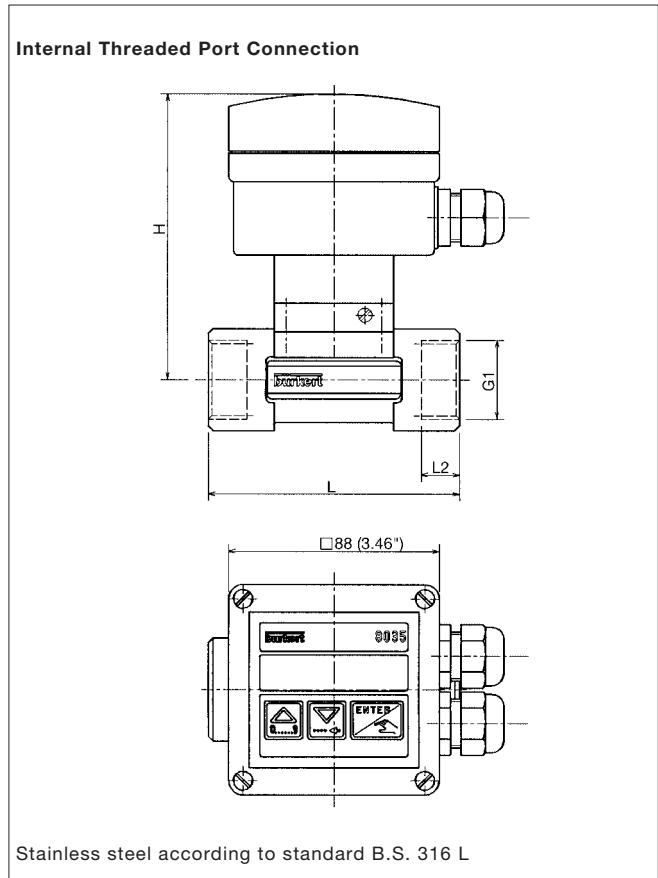
Panel Version



Wall-Mount Version



Dimensions [mm (inch)]



Dimensions NPT-Port Connection

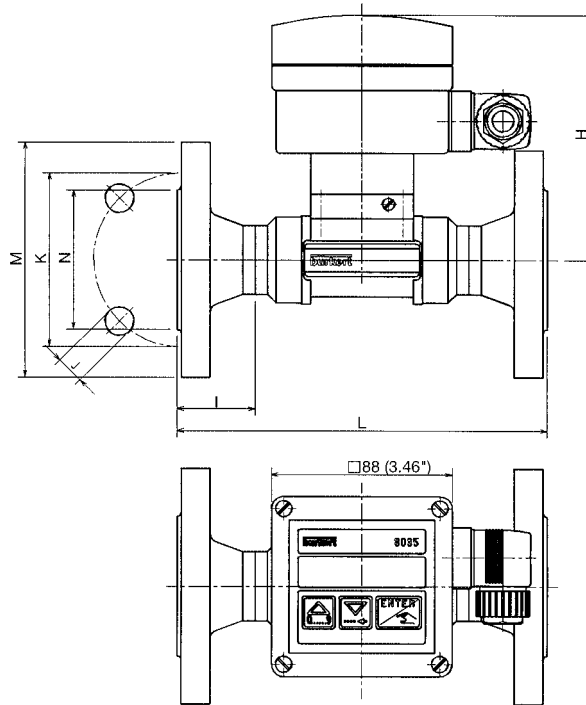
Port connection (Dimension G1)	Size	Variable dimensions [inch]		
		L	L2	H
NPT 9/16	15 (1/2")	3.35	0.67	4.81
NPT 3/4	20 (3/4")	3.74	0.72	4.69
NPT 1	25 (1")	4.14	0.71	4.73
NPT 1-1/4	32 (1-1/2")	4.73	0.83	4.85
NPT 1-1/2	40 (1-1/2")	5.12	0.79	5.00
NPT 2	50 (2")	5.91	0.95	5.28

Dimensions G-Port Connection

Port Connection (Dimension G1)	Size	Variable Dimensions [mm]		
		L	L2	H
G 1/2	15 (1/2")	85	16.0	122
G 3/4	20 (3/4")	95	17.0	119
G 1	25 (1")	105	23.5	120
G 1-1/4	32 (1-1/2")	120	23.5	123
G 1-1/2	40 (1-1/2")	130	23.5	127
G 2	50 (2")	150	27.5	134

Dimensions [mm (inch)]

Flange Port Connection



Stainless steel acc. to standard 316 L

Dimensions Flange Port Connection In Stainless Steel

Port Connection (Norm)	DN	Variable Dimensions [mm]						
		I	J (number x ø)	K	M	N	L	H
DIN [mm]	15	23.5	4 x 14.0	65.0	95.0	45.0	130	122.0
ANSI [inch]	15 (1/2)	0.93	4 x .62	2.38	3.51	1.38	5.12	4.81
JIS [mm]	15	23.5	4 x 15.0	70.0	95.0	51.0	140	122.0
DIN [mm]	20	28.5	4 x 14.0	75.0	105.0	58.0	150	119.0
ANSI [inch]	20 (3/4)	1.12	4 x .62	2.75	3.90	1.69	5.91	4.69
JIS [mm]	20	28.5	4 x 15.0	75.0	100.0	56.0	152	119.0
DIN [mm]	25	28.5	4 x 14.0	85.0	115.0	68.0	160	120.0
ANSI [inch]	25 (1)	1.12	4 x .62	3.13	4.26	2.00	6.30	4.73
JIS [mm]	25	28.5	4 x 19.0	90.0	125.0	67.0	165	120.0
DIN [mm]	32	31.0	4 x 18.0	100.0	140.0	78.0	180	123.0
ANSI [inch]	32 (1-1/4)	1.22	4 x .75	3.50	4.61	2.50	7.09	4.85
JIS [mm]	32	31.0	4 x 19.0	100.0	135.0	76.0	178	123.0
DIN [mm]	40	36.0	4 x 18.0	110.0	150.0	88.0	200	127.0
ANSI [inch]	40 (1-1/2)	1.42	4 x .75	3.88	5.00	2.88	7.88	5.0
JIS [mm]	40	36.0	4 x 19.0	105.0	140.0	81.0	190	127.0
DIN [mm]	50	41.0	4 x 18.0	125.0	165.0	102.0	230	134.0
ANSI [inch]	50 (2)	1.62	4 x .75	4.75	5.99	4.02	9.06	5.28
JIS [mm]	50	41.0	4 x 19.0	120.0	155.0	96.0	216	134.0

* DIN 2501, length according to DIN 3202-F1;

* ANSI B16-5-1988, length according to DIN 3202-F1;

* JIS 10K, length according to ANSI B16-10

Dimensions [mm (inch)]

Weld-End Port Connection

Stainless steel according to standard BS 316 L
Connection: according ISO 4200
O.D. Tube size available on request.

Dimensions [inch]

Port Connection	DN	Variable Dimensions [inch]		
		L	øD	H
Butt-Weld end port connection	3/4"	3.31	0.75	4.69
	1"	3.70	1.00	4.73
	1 1/4"	4.10	1.25	4.80
	1 1/2"	4.68	1.50	5.00
	2"	5.08	2.00	5.28
	2 1/2"	5.90	2.50	5.60

Dimensions [mm]

Port Connection	DN	Variable Dimensions [mm]		
		L	øD	H
Butt-Weld end port connection	3/4"	84	19.0	119
	1"	94	25.4	120
	1 1/4"	104	31.8	123
	1 1/2"	119	38.1	127
	2"	129	50.8	134
	2 1/2"	149	63.5	141

Tri-Clamp® Port Connection

Stainless steel according to standard BS 316 L
Connection: BS 4825 Tri-Clamp®

Dimensions [inch]

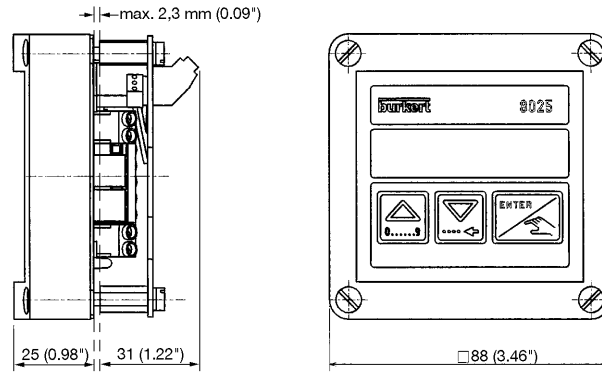
Port Connection	DN	Variable Dimensions [inch]		
		L	øD	H
Tri-Clamp® port connection	3/4"	4.25	1.00	4.69
	1"	4.67	2.00	4.73
	1 1/2"	5.03	2.00	5.00
	2"	6.03	2.50	5.28

Dimensions [mm]

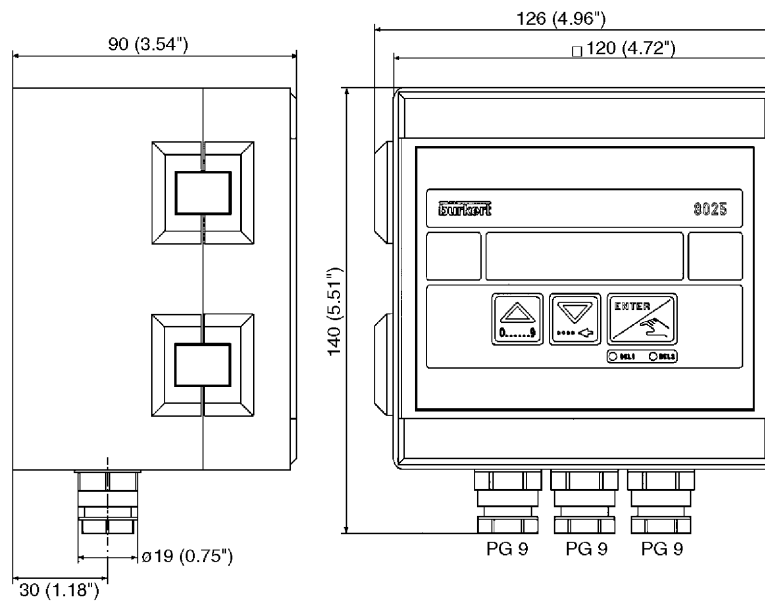
Port Connection	DN	Variable Dimensions [mm]		
		L	øD	H
Tri-Clamp® port connection	3/4"	108	25.4	119
	1"	118.7	50.8	120
	1 1/2"	127.8	50.8	127
	2"	153.2	63.5	134

Dimensions [mm (inch)]

Panel Version



Wall-Mount Version



Ordering Chart

A Compact Flow Transmitter System Type 8035 consists of two basic components:

- Fitting Type S030 which houses the inline rotor
- Electronic Transmitter, compact version Type SE35

Selection Example: A Flow Transmitter System for 1" PVC pipe:

- Fitting Type S030 (True union with solvent spigot) 423 952 L
- Electronic Transmitter Type SE35 (4-20mA, pulse output, 2 totalizers, 2 relays, 12 to 30 VDC) 423 930 J

Fittings S030 - Ordering Chart - BRASS, INLINE "Turn & Lock"

Specification	Item-No.							
	1/2" (DN6) ²⁾	1/2" (DN8) ²⁾	1/2"	3/4"	1"	1-1/4"	1-1/2"	2"
G-port connection (internal thread) ¹⁾	430 328 D	433 866 Q	423 980 M	423 981 A	423 982 B	423 983 C	423 984 D	423 985 E
NPT-port connection (internal thread)		449 182 T	423 986 F	423 987 G	423 988 R	423 989 J	423 990 P	423 991 C

¹⁾Metric thread

²⁾Reduced orifice

Has to be ordered separately

Fittings S030 - Ordering Chart - PLASTIC, INLINE "Turn & Lock"

Specification	Item-No.					
	1/2"	3/4"	1"	1-1/4"	1-1/2"	2"
PVC True Union with solvent spigot (ASTM version)	423 950 W	423 951 K	423 952 L	423 953 M	423 954 N	423 955 P
PP True Union with fusion spigot (ISO version, metric pipe)	423 956 Q	423 957 R	423 958 S	423 959 T	423 960 Y	423 961 M
PVDF True Union with fusion spigot (ISO version, metric pipe)	423 968 U	423 969 V	423 970 S	423 971 P	423 972 Q	423 973 R

Has to be ordered separately

Fittings S030 - Ordering Chart - STAINLESS STEEL, INLINE "Turn & Lock"

Specification	Item-No.								
	1/2" (DN6) ²⁾	1/2" (DN8) ^{2,3)}	1/2"	3/4"	1"	1-1/4"	1-1/2"	2"	2-1/2"
G-port connection (internal thread) ¹⁾			424 004 K	424 005 L	424 006 M	424 007 N	424 008 X	424 009 Y	
NPT-port connection (internal thread)	on request	449 050 M	424 010 L	424 011 H	424 012 A	424 013 B	424 014 C	424 015 D	
Flange-port connection (ANSI B16-5-1988)			424 046 L	424 047 M	424 048 W	424 049 X	424 050 U	424 051 R	
U.S. Tri-Clamp Connection				USO5497	USO5429		USO5433	USO5434	
U.S. Butt-weld Connection				429 320 C	430 303 D	430 304 E	429 321 Z	430 305 F	429 322 S

¹⁾Metric thread

²⁾Reduced orifice

³⁾Male external thread

Has to be ordered separately

Ordering Chart Transmitter Electronics Compact Type SE35

Specifications	Power Supply	Electrical Connection	ITEM NO.
Flow transmitter with 4-20mA, pulse output, 2 totalizers	12-30 VDC	1/2" Conduit plug, (1ea.)	423 927 B
Flow transmitter with 4-20mA, pulse output, 2 totalizers	12-30 VDC	1/2" Conduit entry, (1ea.)	423 928 L
Flow transmitter with 4-20mA, pulse output, 2 totalizers, 2 relays	12-30 VDC	1/2" Conduit entry (2ea.)	423 930 J
Flow transmitter with 4-20mA, pulse output on relay reed, 2 totalizers	12-30 VDC	1/2" Conduit entry (2ea.)	423 931 F
Flow switch with 2 relays	12-30 VDC	1/2" Conduit entry (2ea.)	423 929 M
Batch controller with 2 totalizers, 1 flow, 2 relays	12-30 VDC	1/2" Conduit entry (2ea.)	423 932 G
Stand alone with 2 totalizers, 1 flow	9 VDC batteries	—	423 921 D
Flow transmitter with 4-20mA, pulse output, 2 totalizers	115-230 VAC	1/2" Conduit entry (2ea.)	423 933 H
Flow transmitter with 4-20mA, pulse output, 2 totalizers, 2 relays	115-230 VAC	1/2" Conduit entry (2ea.)	423 935 B
Flow transmitter with 420mA, pulse output on relay reed, 2 totalizers	115-230 VAC	1/2" Conduit entry (2ea.)	423 936 C
Flow switch with 2 relays	115-230 VAC	1/2" Conduit entry (2ea.)	423 934 A
Batch controller with 2 totalizers, 1 flow, 2 relays	115-230 VAC	1/2" Conduit entry (2ea.)	423 937 D

Ordering separate Flow Transmitter System (panel or wall-mount versions) see next page

Ordering Chart Panel and Wall-mount Versions Type 8025

A Flow Transmitter System, Remote Mount, consists of three basic components

- Separate Transmitter Electronic Type 8025 in panel or wall-mount version
- Flow Sensor Electronic Type SE30
- Fitting Type S030 which houses the inline rotor

Selection Example:

- Sep. Electronic Transmitter Type 8025 (Wall, 4-20mA, pulse output, 2 totalizers, 2 relays, 12 to 30 VDC) 418 396 S
- Fitting Type S030 (PVC, True union with solvent spigot, 1-inch) 423 952 L
- Electronic Sensor Type SE30 (Hall sensor "low power") 423 914 E

Panel Version

Specifications	Power Supply	Electrical Connection	ITEM NO.
Flow transmitter with 4-20mA, pulse output, 2 totalizers	12-30 VDC	None	418 992 Q
Flow transmitter with 4-20mA, pulse output, 2 totalizers, 2 relays	12-30 VDC	None	418 994 J
Flow transmitter with 4-20mA, pulse output on relay reed, 2 totalizers	12-30 VDC	None	418 395 Z
Flow switch with 2 relays	12-30 VDC	None	425 492 A
Batch controller with 2 totalizers, 1 flow, 2 relays	12-30 VDC	None	419 536 P

Wall-Mount Version

Specifications	Power Supply	Electrical Connection	ITEM NO.
Flow transmitter with 4-20mA, pulse output, 2 totalizers	12-30 VDC	3x PG 9	418 397 T
Flow transmitter with 4-20mA, pulse output, 2 totalizers, 2 relays	12-30 VDC	3x PG 9	418 396 S
Flow transmitter with 4-20mA, pulse output on relay reed, 2 totalizers	12-30 VDC	3x PG 9	418 398 C
Flow switch with 2 relays	12-30 VDC	3x PG 9	425 493 B
Batch controller with 2 totalizers, 1 flow, 2 relays	12-30 VDC	3x PG 9	433 740 D
Stand alone with 2 totalizers, 1 flow	9 VDC batteries	1x PG 9	418 402 Z
Flow transmitter with 4-20mA, pulse output, 2 totalizers	115-230 VAC	3x PG 9	418 400 B
Flow transmitter with 4-20mA, pulse output, 2 totalizers, 2 relays	115-230 VAC	3x PG 9	418 399 D
Flow transmitter with 4-20mA, pulse output on relay reed, 2 totalizers	115-230 VAC	3x PG 9	418 401 Y
Flow switch with 2 relays	115-230 VAC	3x PG 9	425 494 C
Batch controller with 2 totalizers, 1 flow, 2 relays	115-230 VAC	3x PG 9	433 741 S

Sensor Electronic for Type SE30 Remote Mount Version of 8025

Specifications	Power Supply	Electrical Connection	ITEM NO.
Coil sensor (only connectable to Type 8025 wall-mount version with batteries)	None	DIN 43650 PG9	423 912 C
Hall sensor "low power" (only compatible with Type 8025, 8021, 8023 and 8034)	from 8025	DIN 43650 PG9	423 914 E



8035 Systems

PVC 4–20mA and Flow Transmitter with Flow Indicator / 2 Totalizers and 2 Flow Switches 1/2"–2"

<p>PVC Body with Tru-Union Ends, PVDF Paddle, Ceramic Shaft and bearings. Max operating is 140 PSI and 122°F. FPM (viton) is standard seal material. 1–33fps flow range capability.</p>	<p>System part number below will include fitting & transmitter with two 3A SPST relays, Pulse output, 4–20mA output and 2 totalizers. Field flow simulation and field Calibration function. 24VDC power required.</p>
1/2" Flow Indicator/Transmitter/2 Switches/Totalizer/Pulse	System part # 424 618 W
3/4" Flow Indicator/Transmitter/2 Switches/Totalizer/Pulse	System part # 424 619 X
1" Flow Indicator/Transmitter/2 Switches/Totalizer/Pulse	System part # 424 620 U
1 1/4" Flow Indicator/Transmitter/2 Switches/Totalizer/Pulse	System part # 424 621 R
1 1/2" Flow Indicator/Transmitter/2 Switches/Totalizer/Pulse	System part # 424 622 J
2" Flow Indicator/Transmitter/2 Switches/Totalizer/Pulse	System part # 424 623 K

BRASS 4–20mA and Flow Transmitter with Flow Indicator / 2 Totalizers and 2 Flow Switches 1/2"–2"

<p>Brass body with NPT Ends, PVDF Paddle, Ceramic Shaft and bearings. Max operating is 230 PSI and 212°F. FPM (viton) is standard seal material. 1–33fps flow range capability.</p>	<p>System part number below will include fitting & transmitter with two 3A SPST relays, Pulse output, 4–20mA output and 2 totalizers. Field flow simulation and field Calibration function. 24VDC power required.</p>
1/2" Flow Indicator/Transmitter/2 Switches/Totalizer/Pulse	System part # 424 870 X
3/4" Flow Indicator/Transmitter/2 Switches/Totalizer/Pulse	System part # 424 871 L
1" Flow Indicator/Transmitter/2 Switches/Totalizer/Pulse	System part # 424 872 M
1 1/4" Flow Indicator/Transmitter/2 Switches/Totalizer/Pulse	System part # 424 873 N
1 1/2" Flow Indicator/Transmitter/2 Switches/Totalizer/Pulse	System part # 424 874 P
2" Flow Indicator/Transmitter/2 Switches/Totalizer/Pulse	System part # 424 875 Q

PVDF 4–20mA and Flow Transmitter with Flow Indicator / 2 Totalizers and 2 Flow Switches 20mm to 63mm

<p>PVDF Fluidic Module with Tru-Union Fusion Spigot, PVDF Paddle, Ceramic Shaft and bearings. Max operating is 140 PSI and 212°F. FPM (viton) is standard seal material. 1–33fps flow range capability.</p>	<p>System part number below will include fitting & transmitter with two 3A SPST relays, Pulse output, 4–20mA output and 2 totalizers. Field flow simulation and field Calibration function. 24VDC power required.</p>
20mm Flow Indicator/Transmitter/2 Switches/Totalizer/Pulse	System part # 424 762 W
25mm Flow Indicator/Transmitter/2 Switches/Totalizer/Pulse	System part # 424 763 X
32mm Flow Indicator/Transmitter/2 Switches/Totalizer/Pulse	System part # 424 764 Y
40mm Flow Indicator/Transmitter/2 Switches/Totalizer/Pulse	System part # 424 765 Z
50mm Flow Indicator/Transmitter/2 Switches/Totalizer/Pulse	System part # 424 766 S
63mm Flow Indicator/Transmitter/2 Switches/Totalizer/Pulse	System part # 424 767 T

STAINLESS STEEL 4–20mA and Flow Transmitter with Flow Indicator / 2 Totalizers and 2 Flow Switches 1/2"–2"

<p>Stainless Steel Fluidic Module with NPT ends, PVDF Paddle, Ceramic Shaft and bearings. Max operating is 230 PSI and 212°F. FPM (viton) is standard seal material. 1–33fps flow range capability.</p>	<p>System part number below will include fitting & transmitter with two 3A SPST relays, Pulse output, 4–20mA output and 2 totalizers. Field flow simulation and field Calibration function. 24VDC power required.</p>
1/2" Flow Indicator/Transmitter/2 Switches/Totalizer/Pulse	System part # 424 978 X
3/4" Flow Indicator/Transmitter/2 Switches/Totalizer/Pulse	System part # 424 979 Y
1" Flow Indicator/Transmitter/2 Switches/Totalizer/Pulse	System part # 424 980 N
1 1/4" Flow Indicator/Transmitter/2 Switches/Totalizer/Pulse	System part # 424 981 B
1 1/2" Flow Indicator/Transmitter/2 Switches/Totalizer/Pulse	System part # 424 982 C
2" Flow Indicator/Transmitter/2 Switches/Totalizer/Pulse	System part # 424 983 D

