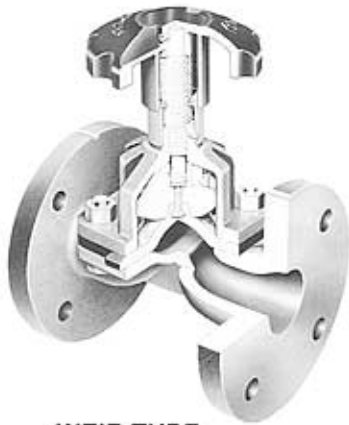


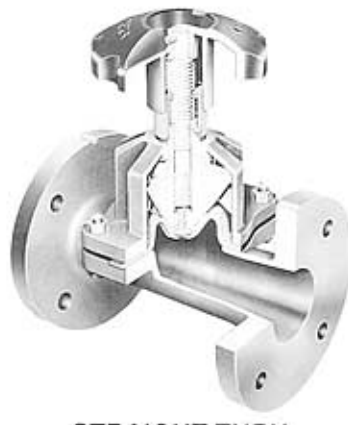
INTRODUCTION TO SAUNDERS

P. K. Saunders invented and patented the Weir Type Diaphragm Valve over sixty years ago. Rapid advances in design and materials quickly proved the diaphragm valve superior in handling abrasive, corrosive, and thick coagulating fluids, slurries, and a wide variety of suspended solid materials.

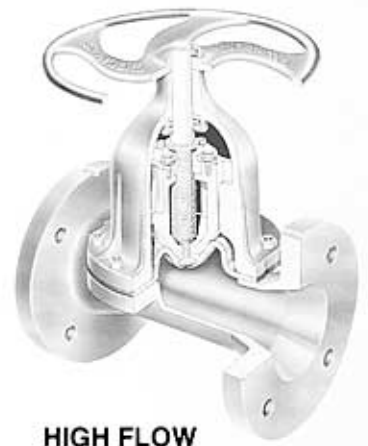
Today Saunders produces over two and one-half million valves annually, making Saunders the largest manufacturer of diaphragm valves in the world. There's the original Weir Valve for most applications, and the Straight Thru and High Flow Valves for slurry or sludge lines.



WEIR TYPE



STRAIGHT THRU



HIGH FLOW

TABLE OF CONTENTS

Introduction	1	Diaphragm Materials	16
General Information	2-3, 37	Flow Coefficient	17
Weir Type Diaphragm Valves	4-11	Operating Limits	18-19
Design Features	4	High Flow Diaphragm Valves	20-21
Dimensions	5	Design Features	20
Body Materials and Linings	6-8	Dimensions	21
Diaphragm Materials	8	Diaphragm Materials	21
Flow Coefficient	9	Body Materials and Linings	21
Operating Limits	10-11	Flow Coefficient	21
Straight Thru Diaphragm Valves	12-19	Actuators	22
Design Features	12	Ordering Information and Figure Numbers	23
Dimensions	13	Service Recommendations	24-36
Body Materials and Linings	14-16		

Saunders is an ISO 9001 company.