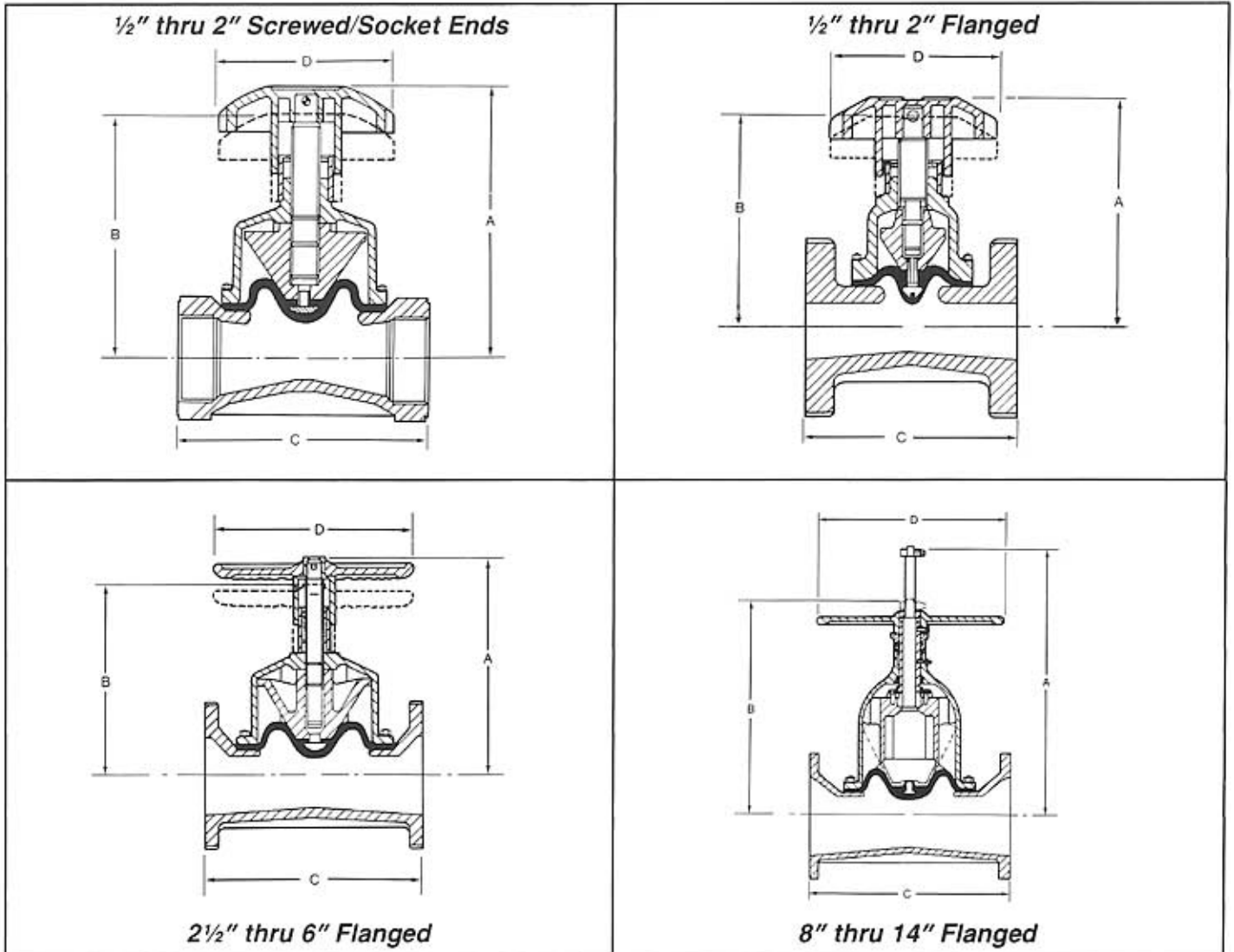


STRAIGHT THRU DIMENSIONAL DATA

OVERALL DIMENSIONS



Body Type	Size	1/2	1	1 1/2	2	2 1/2	3	4	5	6	8	10	12	14
Screwed/Socket Ends	A	4	5 5/8	5 3/4	7 7/8	—	—	—	—	—	—	—	—	—
	B	3 1/8	5 1/8	4 15/16	6 5/16	—	—	—	—	—	—	—	—	—
	C	2 1/2	4 1/4	5 1/2	6 1/2	—	—	—	—	—	—	—	—	—
	Weight lbs.	2	5	6	11	—	—	—	—	—	—	—	—	—
Flanged Unlined	A	4 1/4	5 3/4	5 3/4	7 1/8	10 1/4	11 5/8	13 7/8	16 3/8	16 5/8	24	33 1/4	25	29
	B	4	5 1/4	5 1/4	6 3/8	8 3/8	10 3/8	12 2/8	13 3/16	14 2/8	19 3/16	26	25	29
	C	4	5	6 1/4	7 1/2	8 1/2	10	12 1/2	14	16	20 1/2	25	29 1/2	36 1/4
	Weight lbs.	5	8	12	19	33	49	65	142	142	248	430	654	980
Flanged Rubber Lined	A	—	5 3/4	5 3/4	7 1/8	10 1/4	11 5/8	13 7/8	16 3/8	16 5/8	24	33 1/4	25	29
	B	—	5 1/4	5 1/4	6 3/8	8 3/8	10 3/8	12 2/8	13 3/16	14 2/8	19 3/16	26	25	29
	C	—	5 1/4	6 1/2	7 3/4	8 3/4	10 1/4	12 1/4	14 1/4	16 3/8	20 1/8	25 3/8	29 7/8	36 5/8
	Weight lbs.	—	8	13	20	33	50	67	142	144	251	433	658	984
Flanged Glass/Plastic Lined	A	4 1/4	5 3/4	5 3/4	7 1/8	10 1/4	11 5/8	13 7/8	16 3/8	16 5/8	24	33 1/4	—	—
	B	4	5 1/4	5 1/4	6 3/8	8 3/8	10 3/8	12 2/8	13 3/16	14 2/8	19 3/16	26	—	—
	C	4 1/8	5 1/8	6 3/8	7 3/8	8 3/8	10 1/8	12 2/8	14 1/8	16 1/8	20 3/8	25 1/8	—	—
	Weight lbs.	5	8	12	19	33	49	66	142	143	250	432	—	—
Handwheel Dimension	D	3 1/8	4	4	4 3/4	9 7/8	9 7/8	12 3/8	12 3/8	14 1/2	19	23	27 1/2	27 1/2

All Dimensions - or - 1/8" All Dimensions given in inches

Subject to change without notice.