

# GENERAL INFORMATION

---

## BENEFITS OF SAUNDERS DIAPHRAGM VALVES

- Packless/Glandless design eliminates emission control problems and expensive gland maintenance.
- Positive Closure—even on frequent cycling or on entrained particulates.
- In-line maintenance is simplified and cost effective.
- Isolating diaphragm prevents binding and corrosive or abrasive attack on the operating mechanism by line media.
- Throttling and Control characteristics are enhanced by a streamlined flow path that is cavity free and provide excellent flow control capabilities.
- Required operating force is consistent regardless of service conditions, cycle frequency or duration of service.

## SAUNDERS WEIR DIAPHRAGM VALVE

The Weir, a general purpose diaphragm valve, offers smooth flow and simple operation in any position. Its design provides extra-long diaphragm life for throttling and complete shut-off services. Other unique features include a yellow, sleeve-type position indicator and a permanently lubricated handwheel bonnet.

A wide selection of body materials, body linings, diaphragm materials, actuators, and accessories allow Saunders to supply the right valve for any particular operating condition.

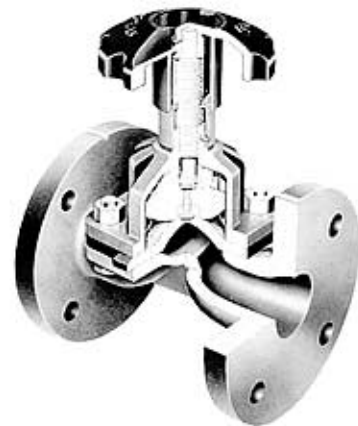
**Size Range:** ¼" thru 16".

**Pressure Range:**  
Vacuum to 230 psi.

**Temperature Range:**  
-50°F to +350°F.

**Body Materials:** Cast Iron, Ductile Iron, Aluminum, Bronze, Stainless Steel and Alloy 20.

**Body Linings:** Hard Rubber, Soft Rubber, Neoprene, Butyl®, Hypalon®, Glass, Polypropylene®, Halar, Tefzel®, PVDF, and PFA.



---

## SAUNDERS STRAIGHT THRU DIAPHRAGM VALVE

Saunders Straight Thru Valves efficiently handle abrasive and corrosive slurries, thick coagulating fluids, and a wide variety of suspended solid materials. The straight, full-open bore design also facilitates the use of brushes, rods, and "pigs" to clean the valve and the line.

The valve incorporates the same major features as the Weir Valve.

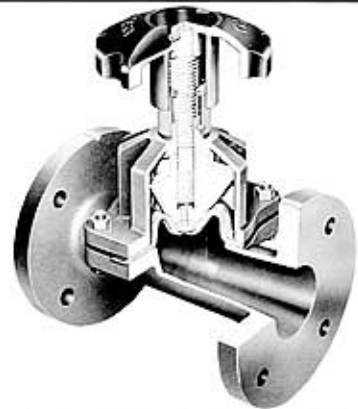
**Size Range:** ½" thru 14".

**Pressure Range:** Vacuum to 150 psi.

**Temperature Range:**  
-40°F to +260°F.

**Body Materials and Linings:**

Cast Iron, Hard Rubber, Soft Rubber, Neoprene, Butyl®, Hypalon®, Glass, Tefzel® and Polypropylene®.



---

## SAUNDERS HIGH FLOW DIAPHRAGM VALVE

When services require high flow capacity, the Saunders High Flow Valve offers higher flow capacity than other valves currently available to industry.

There are no pockets to collect debris and when the valve is in the open position, the diaphragm stays completely out of the flow passage. These unique features result in smooth, unobstructed flow with minimum pressure drop and maximum flow.

**Size Range:** 1½" thru 14".

**Pressure Range:** Vacuum to 150 psi.

**Temperature Range:**  
-40°F to +260°F.

**Body Materials and Linings:**

Cast Iron, Hard Rubber, Soft Rubber, Neoprene, Butyl®, Hypalon®, Glass, Tefzel® and Polypropylene®.

