

SAUNDERS ACTUATORS

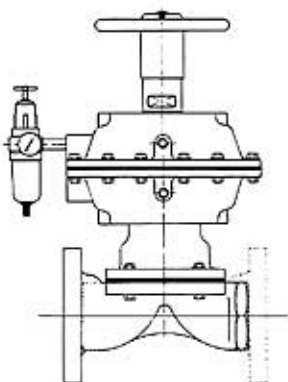
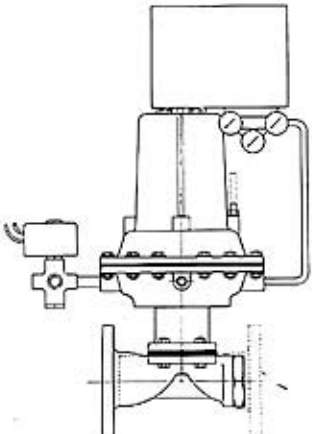
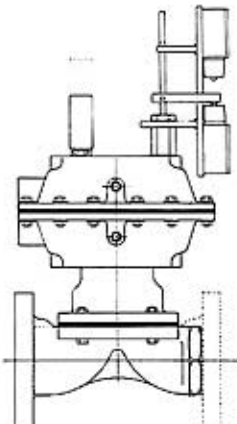
Saunders Actuators are available in three types — spring to close/air to open, spring to open/air to close, and double acting air to open/air to close. All three types are diaphragm operated and may be actuated by air, water, or oil.

Many factors determine which actuator best suits a particular process or plant. If the process determines that the valve should close on air failure, *normally closed*, then the spring to close/air to open type should be used. If the valve must open, *normally open*, then the spring to open/air to close design should be selected. For simple

ON/OFF services where no intermediate control over the flow is needed, nor the "failed position" important, then the double acting air to open/air to close operator should be used.

Saunders operators are available with a wide variety of accessories which include position indicators, adjustable travel stops, manual handwheel overrides, positioners, micro switches, and solenoid valves.

All actuators are finished with a tough epoxy coating which gives maximum durability even in exposed locations.

400 SERIES	500 SERIES	600 SERIES
		
<p align="center">400 SERIES</p> <p align="center">Double Acting Air To Open/Air To Close</p> <p>Sizes: ½" thru 8"</p> <p>Line Pressure: Vacuum to 230 psi</p> <p>Head Sizes: 11 sq. inches to 314 sq. inches</p> <p>Max. Supply Pressure: 110 psi</p>	<p align="center">500 SERIES</p> <p align="center">Spring To Close/Air To Open</p> <p>Sizes: ½" thru 8"</p> <p>Line Pressure: Vacuum to 230 psi</p> <p>Head Sizes: 11 sq. inches to 314 sq. inches</p> <p>Max. Supply Pressure: 110 psi</p>	<p align="center">600 SERIES</p> <p align="center">Spring To Open/Air To Close</p> <p>Sizes: ½" thru 8"</p> <p>Line Pressure: Vacuum to 230 psi</p> <p>Head Sizes: 11 sq. inches to 314 sq. inches</p> <p>Max. Supply Pressure: 110 psi</p>