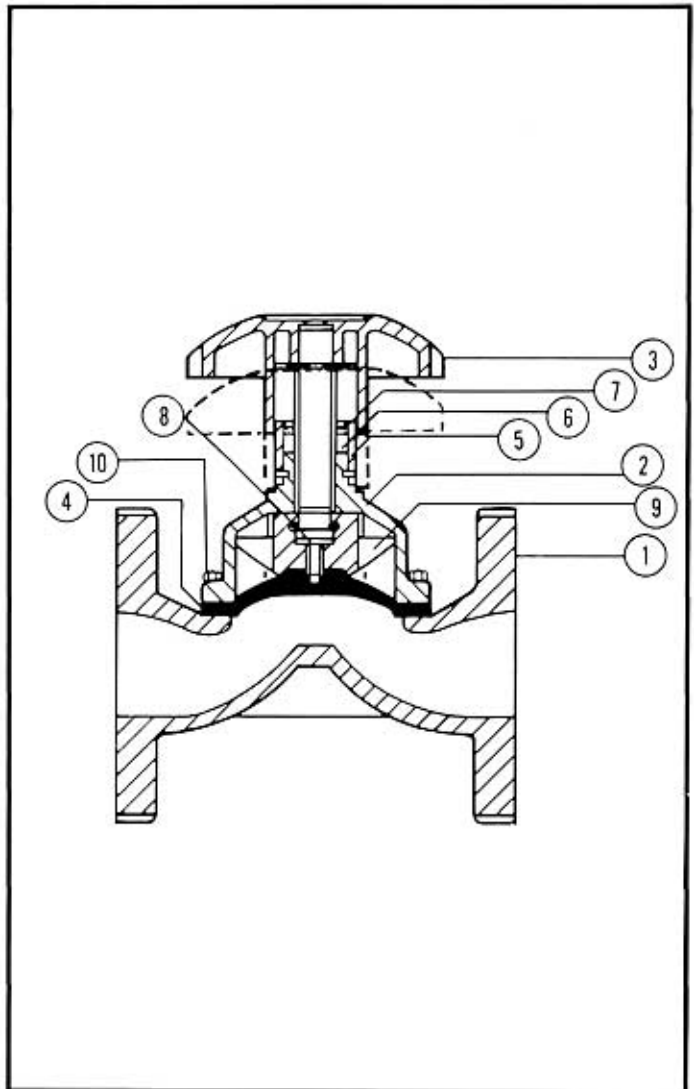
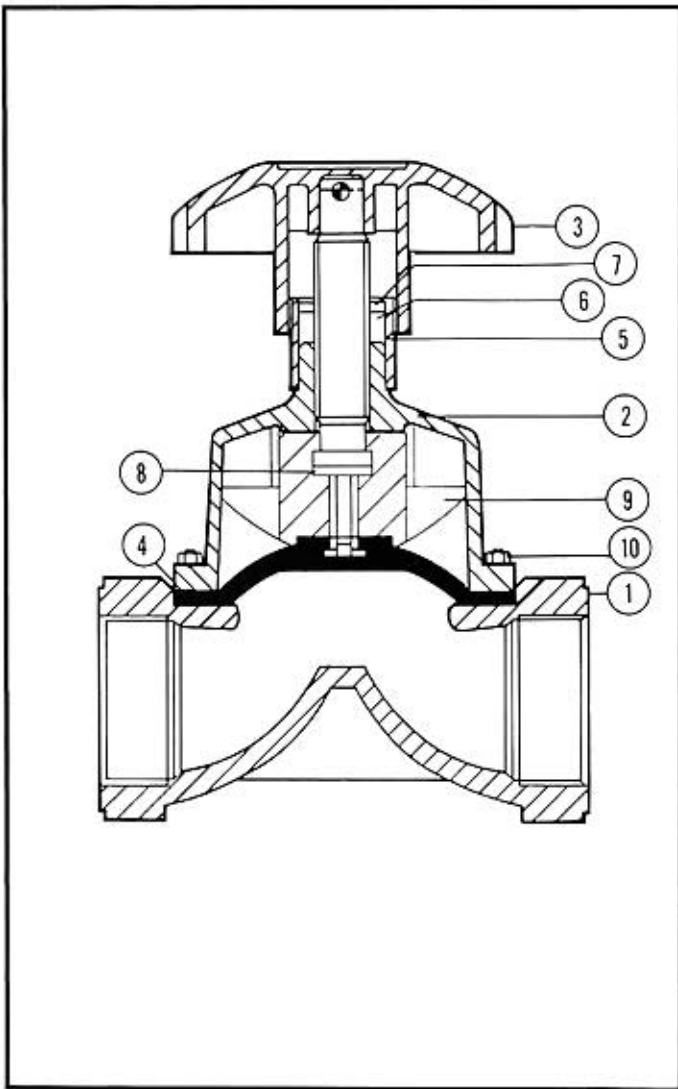


WEIR TYPE MATERIALS OF CONSTRUCTION



1/4" THRU 3" SCREWED/SOCKET ENDS		
Item	Part	Material
1	Body	as Specified
2	Bonnet	Cast Iron or as Specified
3	Handwheel	ABS Plastic or as Specified
4	Diaphragm	as Specified
5	Indicator Sleeve	Yellow Polypropylene
6	Reservoir	Lubricant (Cosmolube)
7	Retainer	Fiber Washer
8	Stem	Carbon Steel
9	Compressor	Cast Iron
10	Body/Bonnet Studs & Nuts	Carbon Steel

1/2" THRU 2" FLANGED		
Item	Part	Material
1	Body	as Specified
2	Bonnet	Cast Iron or as Specified
3	Handwheel	ABS Plastic or as Specified
4	Diaphragm	as Specified
5	Indicator Sleeve	Yellow Polypropylene
6	Reservoir	Lubricant (Cosmolube)
7	Retainer	Fiber Washer
8	Stem	Carbon Steel
9	Compressor	Cast Iron
10	Body/Bonnet Studs & Nuts	Carbon Steel

Subject to change without notice.