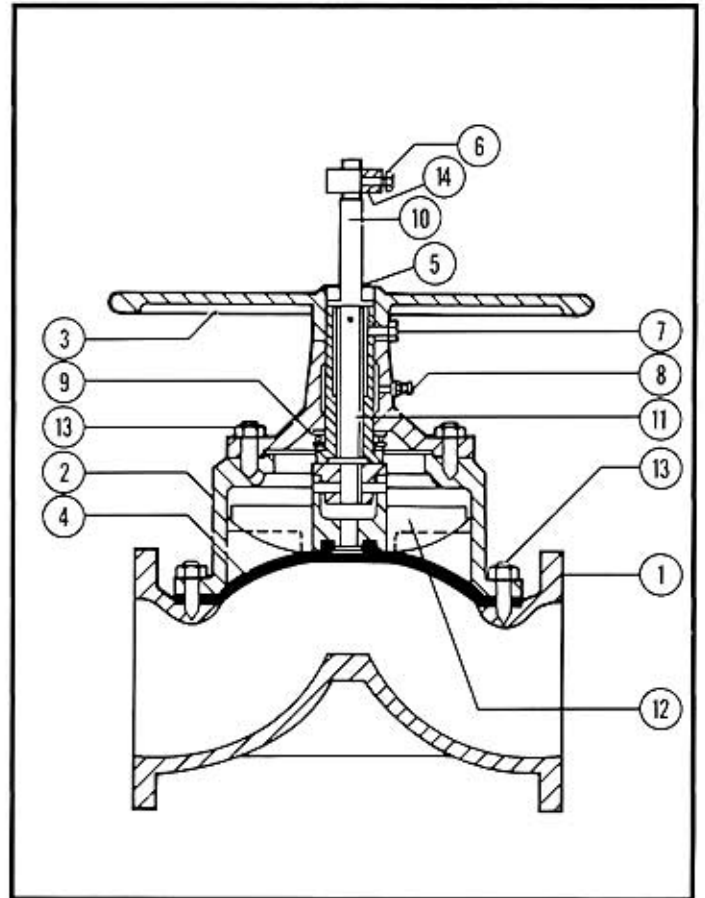
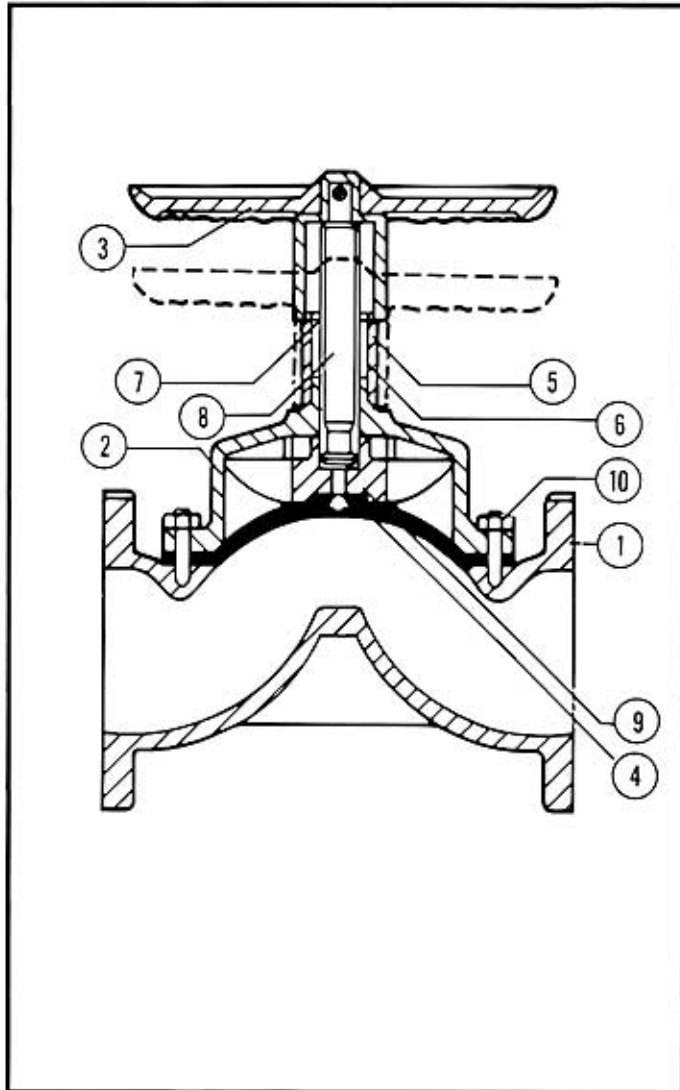


WEIR TYPE MATERIALS OF CONSTRUCTION



2 1/2" THRU 6" FLANGED		
Item	Part	Material
1	Body	as Specified
2	Bonnet	Cast Iron
3	Handwheel	Carbon Steel
4	Diaphragm	as Specified
5	Indicator Sleeve	Yellow Polypropylene
6	Reservoir	Lubricant (Cosmolube)
7	Retainer	Fiber Washer
8	Stem	Carbon Steel
9	Compressor	Cast Iron
10	Body/Bonnet Studs & Nuts	Carbon Steel

8" THRU 14" FLANGED		
Item	Part	Material
1	Body	as Specified
2	Bonnet	Cast Iron
3	Handwheel	Cast Iron
4	Diaphragm	as Specified
5	Handwheel Cap	Carbon Steel
6	Closure Stop Screw	Carbon Steel
7	Handwheel Screw	Carbon Steel
8	Grease Nipple	Carbon Steel
9	Thrust Race	Carbon Steel
10	Indicator Stem	Brass
11	Stem	Carbon Steel
12	Compressor	Cast Iron
13	Body/Bonnet Studs & Nuts	Carbon Steel
14	Closure Stop	Carbon Steel

Subject to change without notice.