



## Electro-Pneumatic Positioner with Keypad & Remote Infrared AutoCal Calibration

### AGENCY APPROVALS



Nema 4, 4x

#### Nonincendive:\*

Class I, Groups A, B, C & D  
Class II, Groups F & G,  
Division 2



#### Intrinsically Safe:

Class I, II, III  
Groups A - G; Division 1  
(must be used with an approved barrier)

#### Explosionproof:

Class I, Groups C & D  
Class II, Groups E, F & G  
Divisions 1 & 2

## K10

### Electro-Pneumatic Positioner

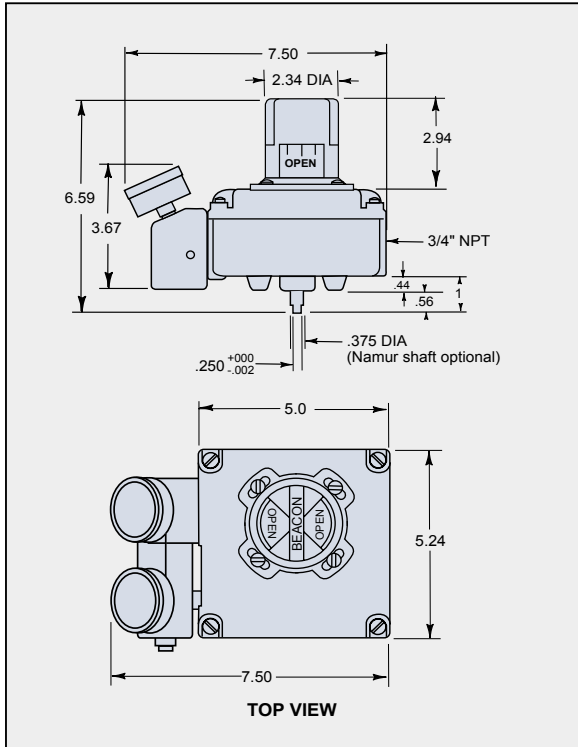
The model K10 electro-pneumatic positioner is the first of its kind having calibration either by a simple AutoCal push of a button or remotely by implementing an infrared signal from a handheld. The K10 positioner brings a new level of efficiency to operating personnel responsible for the calibration of I/P positioners.

#### FEATURES

- Fast calibration through a simple pushbutton AutoCal procedure or remote calibration by utilizing an infrared handheld.
- Certified General Purpose, Nonincendive or Explosionproof or Intrinsically Safe.
- 2 year warranty.
- Beacon visual position monitor.
- Integrated position sensor capability.
- Corrosion resistant engineered resin Nema 4, 4x enclosure standard. (Explosionproof unit: Aluminum)
- Optional high flow transducer.



**DIMENSIONS** (Inches)



**OPERATING SPECIFICATIONS**

K10 SPECIFICATIONS	
Input current	4 to 20 mA (analog)
Voltage drop	9 volts
Supply air pressure	(low) 15 to 45 psi, (high) 40 to 120 psi
Resolution	0.2% of span
Linearity	±1% of span
Hysteresis	0.2% of span
Repeatability	0.2% of span
Thermal coefficient	2%/100°C
Output flow rates	(low) 8.0 scfm @ 25 psi, (high) 16.2 scfm @ 90 psi
Air consumption	(low) 0.003 scfm @ 20 psi, (high) 0.008 scfm @ 90 psi
Gain	Electronically adjustable
Air Connection Ports	1/4" NPT

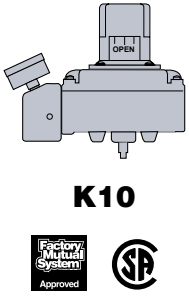
P+F NJ2-V3 Sensors Proximity Type (Solid State), I.S., PTB, FM, CSA, CE	
Sensing Range	3 mm
Electrical Version	D.C. voltage 2 wire in accordance with DIN19234 (NAMUR)
Hysteresis	Approx. 5%
Switching Frequency	1.5KHz
Nominal Voltage	8 VDC
Input Voltage Range	5-25 VDC
Output/Current	Cam Trigger Present ≤1mA
Consumption	Cam Trigger Absent ≥3mA (15mA max)
Operating Temp.	-25°C + 100°C

Materials of Construction (N/I & I/S)	
Housing	Engineered Resin
Cover	Clear Engineered Resin
Manifold	Anodized Aluminum
Conduit	Stainless 3/4" NPT
Shaft	Stainless Steel
Hardware	Stainless Steel

Materials of Construction (Explosionproof)	
Housing	Aluminum
Cover	Aluminum
Manifold	Aluminum (anodized)
Conduit	3/4" NPT
Shaft	Stainless Steel
Hardware	Stainless Steel

Micro-Switch V3		
SPDT (V3)		
AMPS	VAC	VDC
15	125	
15	250	
10		24
0.50		125

**ORDERING GUIDE**

K10	AREA CLASSIFICATION	MOUNTING	SUPPLY PRESSURE	POSITION SENSOR
 <p><b>K10</b></p> <p>Factory Mutual System Approved</p> <p>SP</p>	<p>Nema 4, 4x Nonincendive</p> <p>Class I, Grps. A, B, C &amp; D</p> <p>Class II, Grps. F &amp; G; Div. 2</p> <p><b>N</b></p>	<p>Standard</p> <p><b>S</b></p>	<p>High Pressure (40 to 120 PSI)</p> <p><b>H</b></p>	<p>No Switches</p> <p><b>O</b></p>
	<p>Intrinsically Safe</p> <p>Class I, II, III; Grps. A - G, Div.1 (must be used with an approved barrier)</p> <p><b>I</b></p>	<p>Namur</p> <p><b>N</b></p>	<p>Low Pressure (15 to 45 PSI)</p> <p><b>L</b></p>	<p>2 Mech. Switches*</p> <p><b>B</b></p>
			<p>High Flow (40 to 120 PSI)</p> <p><b>V</b></p>	<p>4-20 mA Position Transmitter</p> <p><b>E</b></p>

\*Mechanical switch option suitable for General Purpose applications only. Nonincendive approvals/certifications void when ordered with mechanical switches.

Infrared Handheld for K10 Positioner **K10HH**

Westlock reserves the right to change product designs and specifications without notice, and is not responsible for errors and omissions.