

Non-incendive

WESTLOCK

CONTROLS

For Sanitary Valve Applications

Agency Approvals: NEMA 4, 4X

Non-incendive

Class I, Div. 2; Groups A, B, C, D;
Class II, Div. 2; Groups F, G

Product Overview

The Pharma II Compact Control Monitor for sanitary diaphragm valve monitoring and control incorporates new design features that meet the challenges of modern pharmaceutical and biotech facility applications. Its low profile and tool-free access make it ideal for short bend radius installations. The Pharma II utilizes a patent pending, self-setting sensor assembly, engineered to reduce nuisance alarms and false trips created by changes in valve seat durometer. The sensor assembly contains non-contact, solid state Hall effect sensors to provide premium reliability, even in high cycle applications. The patent-pending, self-setting High Definition Visual Indicator provides a 360° view up to 100 feet away, and the modular design allows the easy addition of our puck-style solenoid valve base. The Pharma II solenoid pilot valve employs lapped-spool technology for proven reliability and minimal maintenance.

Features

- Compact 3.73" height (without solenoid)
- Modular
 - Base plate mounted Puck solenoid with QuickSwap twist lock installation
 - QuickSwap conventional and network electronic modules
- Network connectivity
 - AS-interface®
 - DeviceNet™
- Designed for simple installation and maintenance
 - No tool enclosure entry
 - Screw on lid
 - Easy access to terminal strip for internal wiring
 - Modular design allows the quick change out of electronics/switch module or solenoid
- Compatible with all valve stroke sizes and manufacturers



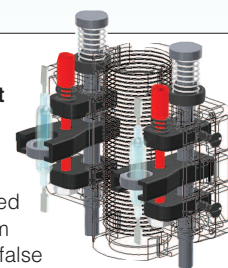
1 High Definition Visual Indicator The patent pending design of the HDVI allows 360° viewing from up to 100 feet away. The HDVI is also self-setting for all stroke lengths and is incorporated as an integral part of the screw top, easy access enclosure.



2 Hall effect sensors offer enhanced reliability in extreme environments. As there are no moving parts in the sensor or magnet, typical longevity exceeds that of traditional switches.

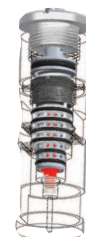
3 Tool-free access with screw top cover

4 Self-Setting Limit Switches Patent pending self-setting position limit switch assembly is engineered to reduce control room nuisance alarms and false trips created by changes in seat durometer.



5 Solenoid Spool Design Lapped spool design for proven reliability

Integrated puck style base mounted solenoid



tyco / Flow Control

www.westlockcontrols.com
Phone: 1-201-794-7650

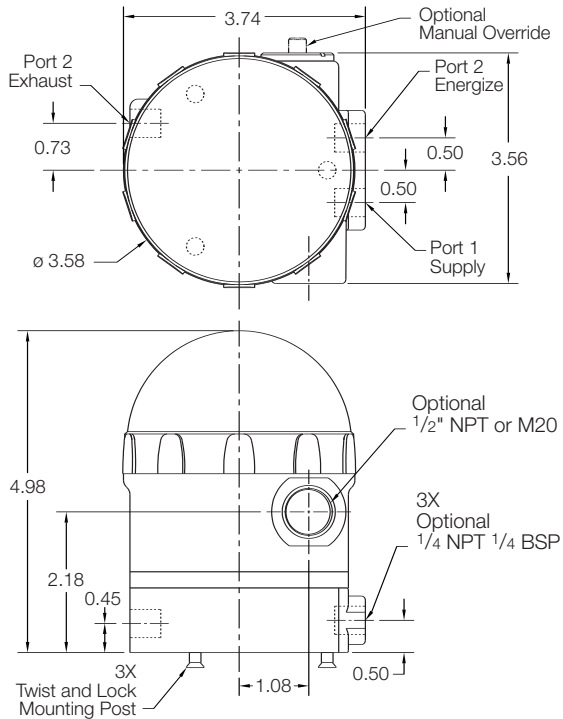
Westlock reserves the right to change product designs and specification without notice, and is not responsible for errors and omissions.

Westlock™ Pharma II 76P2/77P2

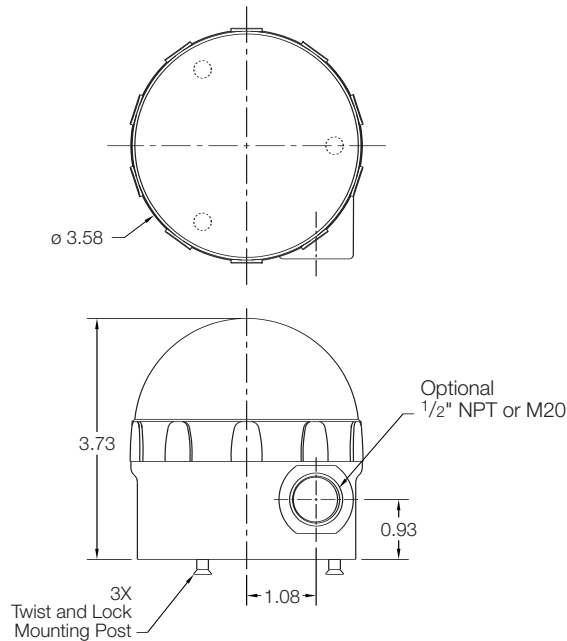
Network Valve Position and Control Monitors for Sanitary Valve Applications

Non-incendive

P2 with Solenoid Valve Dimensions



P2 without Solenoid Valve Dimensions



Ordering Guide

Non-incendive, Class I, Div. 2; Groups A, B, C, D; Class II, Div. 2; Groups F, G



Protocol

76P2 DeviceNet™
77P2 AS-interface® -Version 2.1 (For version 2.0 contact factory)

Conduit Size

- 1A** One 1/2" NPT(F) fitted with Gland fitting
- 1M** One 1/2" NPT(F) fitted with Mini-connector
- 1U** One 1/2" NPT(F) fitted with Micro-(Euro) connector
- 1C** One M20

Solenoid Coil Voltage

- 0** None
- D** 24 VDC

Spool Valve

- 000** None
- 550** 0.5 Cv, 3-Way, Delrin®

Override Option

- 0** None
- L** Locking

76P2 1M 0 550 L = Model Number 76P21M000L

Note: Mounting kits sold separate, consult factory for prices and part numbers for mounting kits.

Notes

1. AS-interface is a registered trademark of AS-International.
2. DeviceNet™ is a registered trademark of ODVA.
3. Delrin® is a registered trademark of E.I. du Pont de Nemours and Company.

Main Office, Saddle Brook, NJ
 Ph: 201-794-7650
 Dedicated Order Fax: 201-794-4790
 General Fax: 201-794-0913

Europe, Kent, England
 Ph: 011-44-189-251-6277
 Fax: 011-44-189-251-6279

South America, Banucri, Sao Paulo,
 Ph: 11-55-11-4191-0930
 Fax: 011-55-11-4191-0931

Tyco Flow Control (TFC) provides the information herein in good faith but makes no representation as to its comprehensiveness or accuracy. This data sheet is intended only as a guide to TFC products and services. Individuals using this data sheet must exercise their independent judgment in evaluating product selection and determining product appropriateness for their particular purpose and system requirements. TFC MAKES NO REPRESENTATIONS OR WARRANTIES, EITHER EXPRESS OR IMPLIED, INCLUDING WITHOUT LIMITATION ANY WARRANTIES OF MERCHANTABILITY OR FITNESS FOR A PARTICULAR PURPOSE WITH RESPECT TO THE INFORMATION SET FORTH HEREIN OR THE PRODUCT(S) TO WHICH THE INFORMATION REFERS. ACCORDINGLY, TFC WILL NOT BE RESPONSIBLE FOR DAMAGES (OF ANY KIND OR NATURE, INCLUDING INCIDENTAL, INDIRECT, OR CONSEQUENTIAL DAMAGES) RESULTING FROM THE USE OF OR RELIANCE UPON THIS INFORMATION. Patents and Patents Pending in the U.S. and foreign countries. Tyco reserves the right to change product designs and specifications without notice.