



Pneumatic Double Acting Automated Ball Valve Package Series 30 3-Way Ball Valve

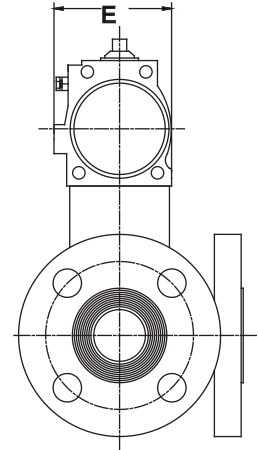
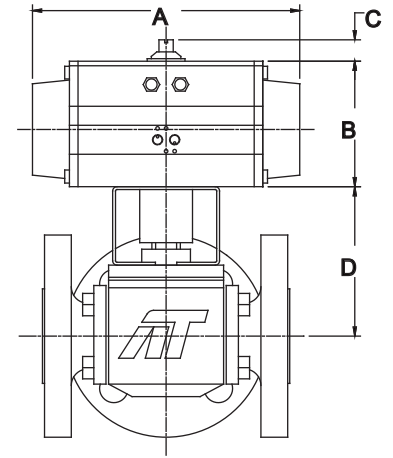
Full Port Valve
RTFE Seats Standard
Class 150# and 300#
Available 1-1/2" – 12"
316SS or WCB Body
316SS Ball & Stem
Flanged Ends
"T" Port or "L" Port
For 10" and above, call factory

STANDARDS

ASME BPE n 1997
ANSI B16.34, B16.25, B1.20.1
ISO 5211/1, 5209, 5752, 7/1, 261
DIN 3357, 50.049-3.1B
MSS SP25, SP72
BS 5351



Flanged 3 Way



DIMENSIONS (IN)

VALVE SIZE	A	B	C	D	E
1-1/2"	9.29	4.49	0.79	5.04	4.41
2"	11.46	5.28	0.79	5.43	5.20
2-1/2"	13.90	6.18	0.79	8.11	6.04
3"	13.90	6.18	0.79	8.15	6.04
4"	15.16	6.93	1.18	9.29	6.69
6"	25.44	10.12	1.18	13.28	9.29
8"	25.44	10.12	1.18	14.07	9.29
10"	CF	CF	CF	CF	CF
12"	CF	CF	CF	CF	CF

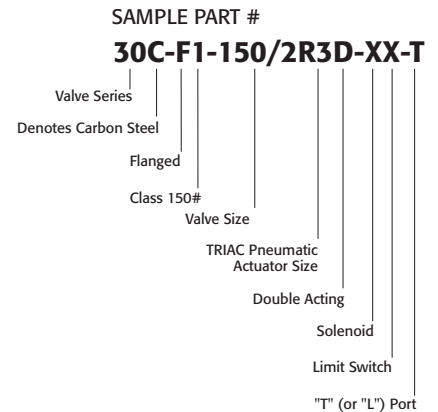
VALVE Cv	
T-PORT STRAIGHT THRU	L & T-PORT 90°
198	50
430	120
670	158
1170	275
2070	422
5000	788
8800	1828
13500	3159
20130	4626

DIMENSIONS SHOWN ARE FOR ASSEMBLIES SIZED FOR 80 PSI SUPPLY

SERIES 30 3 Way

SIZED FOR 80 psi AIR SUPPLY	
SIZE	MODEL
1-1/2"	30-F1-150/2R3D-XX-T
2"	30-F1-200/2R5D-XX-T
2-1/2"	30-F1-250/2R6D-XX-T
3"	30-F1-300/2R6D-XX-T
4"	30-F1-400/2R7D-XX-T
6"	30-F1-600/2RBD-XX-T
8"	30-F1-800/2RBD-XX-T
10"	CF
12"	CF

SIZED FOR 60 psi AIR SUPPLY	
SIZE	MODEL
1-1/2"	30-F1-150/2R4D-XX-T
2"	30-F1-200/2R6D-XX-T
2-1/2"	30-F1-250/2R6D-XX-T
3"	30-F1-300/2R7D-XX-T
4"	30-F1-400/2R7D-XX-T
6"	30-F1-600/2RBD-XX-T
8"	CF
10"	CF
12"	CF



OPTIONS

DESCRIPTION	PART NO. SUFFIX	DESCRIPTION	PART NO. SUFFIX
NEMA 4 Solenoid	(A)	NEMA 4 Limit Switch (2) spdt	(A)
NEMA 7 Solenoid	(B)	NEMA 7 Limit Switch (2) spdt	(B)

Other options available - call for details
Specify flow pattern when ordering (see back)
Actuators are sized based on clean/clear fluid
at full rated pressure of valves.
See part # matrix for complete model #

1106-30DA



Triac Division
11363 Deerfield Rd.
Cincinnati, Ohio 45242

PHONE (513) 247-5465
FAX (513) 247-5462
e-mail: sales@a-tcontrols.com
www.a-tcontrols.com