



Pneumatic Double Acting Automated Ball Valve Package

Series 38
3-Way Ball Valve

Reduced Port Valve

1000 psi WOG

Available 1/4" – 2"

316SS Body, Ball & Stem

Threaded Ends

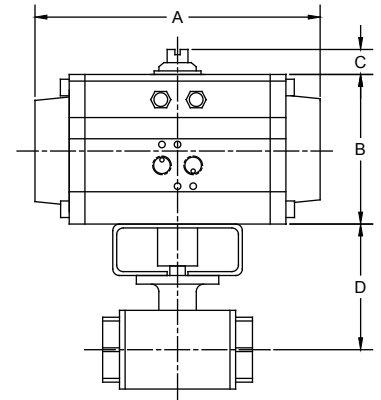
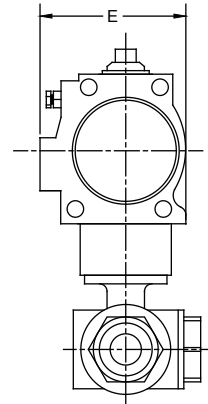
"T" Port or "L" Port

4 Seat Design



Threaded 3 Way

SERIES 38 3 Way



DIMENSIONS (IN)

VALVE SIZE	A	B	C	D	E
1/4"	5.98	2.76	0.79	2.54	2.58
3/8"	5.98	2.76	0.79	2.54	2.58
1/2"	5.98	2.76	0.79	2.63	2.58
3/4"	5.98	2.76	0.79	3.03	2.58
1"	7.95	3.43	0.79	3.18	3.29
1-1/4"	9.29	4.49	0.79	3.43	4.41
1-1/2"	9.29	4.49	0.79	3.72	4.41
2"	9.29	4.49	0.79	4.06	4.41

VALVE Cv	
T-PORT STRAIGHT THRU	L & T-PORT 90°
7	5
7	5
10	6
27	10
48	24
70	36
98	65
198	110

DIMENSIONS SHOWN ARE FOR ASSEMBLIES SIZED FOR 80 PSI SUPPLY

SIZED FOR 80 psi AIR SUPPLY

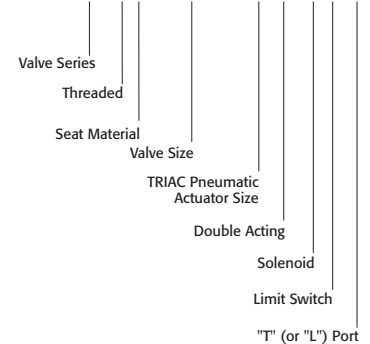
SIZE	MODEL
1/4"	38-TX-025/TR1D-XX-T
3/8"	38-TX-038/TR1D-XX-T
1/2"	38-TX-050/TR1D-XX-T
3/4"	38-TX-075/TR1D-XX-T
1"	38-TX-100/2R2D-XX-T
1-1/4"	38-TX-125/2R3D-XX-T
1-1/2"	38-TX-150/2R3D-XX-T
2"	38-TX-200/2R3D-XX-T

SIZED FOR 60 psi AIR SUPPLY

SIZE	MODEL
1/4"	38-TX-025/TR1D-XX-T
3/8"	38-TX-038/TR1D-XX-T
1/2"	38-TX-050/2R2D-XX-T
3/4"	38-TX-075/2R2D-XX-T
1"	38-TX-100/2R3D-XX-T
1-1/4"	38-TX-125/2R3D-XX-T
1-1/2"	38-TX-150/2R3D-XX-T
2"	38-TX-200/2R4D-XX-T

SAMPLE PART #

38-TX-050/2R2D-XX-T



OPTIONS

DESCRIPTION	PART NO. SUFFIX	DESCRIPTION	PART NO. SUFFIX
NEMA 4 Solenoid	(A)	NEMA 4 Limit Switch (2) spdt	(A)
NEMA 7 Solenoid	(B)	NEMA 7 Limit Switch (2) spdt	(B)

Other options available - call for details
Specify flow pattern when ordering (see back)
Actuators are sized based on clean/clear fluid at full rated pressure of valves.



Triac Division
11363 Deerfield Rd.
Cincinnati, Ohio 45242
PHONE (513) 247-5465
FAX (513) 247-5462
e-mail: sales@a-tcontrols.com
www.a-tcontrols.com