



Pneumatic Double Acting

Automated Ball Valve Package

Series 55
3-Piece Ball Valve

Full Port Valve
1000 & 800 psi WOG

Available 1/4"-4"

316SS or WCB Body

316SS Ball & Stem

Standard RTFE Seats
Others Available

Threaded, SW or BW

STANDARDS

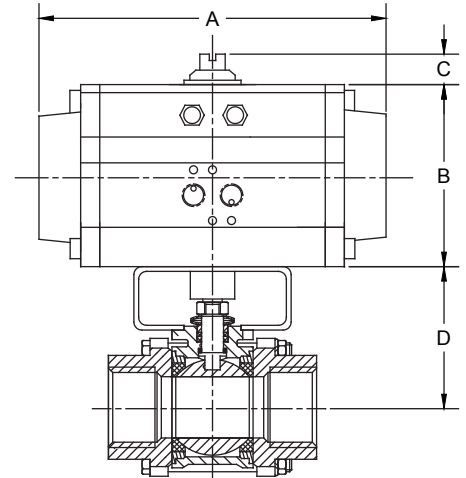
ANSI B16.34, B16.25, B16.11, B1.20.1

API 6D

BS 5351, 6755

ISO 5211

MSS SP25, SP72

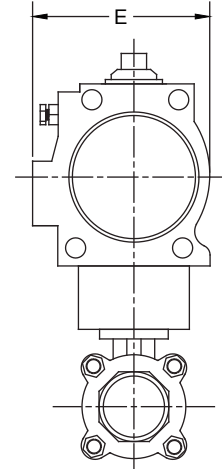


SERIES 55 3-Piece

DIMENSIONS (IN)

| VALVE SIZE | A | B | C | D | E | VALVE Cv |
|------------|-------|------|------|------|------|----------|
| 1/4" | 5.98 | 2.76 | 0.79 | 2.63 | 2.58 | 7 |
| 3/8" | 5.98 | 2.76 | 0.79 | 2.63 | 2.58 | 8 |
| 1/2" | 5.98 | 2.76 | 0.79 | 2.63 | 2.58 | 15 |
| 3/4" | 5.98 | 2.76 | 0.79 | 2.76 | 2.58 | 40 |
| 1" | 7.95 | 3.43 | 0.79 | 3.09 | 3.29 | 70 |
| 1-1/4" | 7.95 | 3.43 | 0.79 | 3.15 | 3.29 | 110 |
| 1-1/2" | 9.29 | 4.49 | 0.79 | 3.39 | 4.41 | 250 |
| 2" | 9.29 | 4.49 | 0.79 | 3.72 | 4.41 | 400 |
| 2-1/2" | 9.29 | 4.49 | 0.79 | 5.43 | 4.41 | 600 |
| 3" | 9.29 | 4.49 | 0.79 | 5.95 | 4.41 | 1100 |
| 4" | 11.46 | 5.28 | 0.79 | 6.81 | 5.20 | 2000 |

DIMENSIONS SHOWN ARE FOR ASSEMBLIES SIZED FOR 80 PSI SUPPLY



SIZED FOR 80 psi AIR SUPPLY

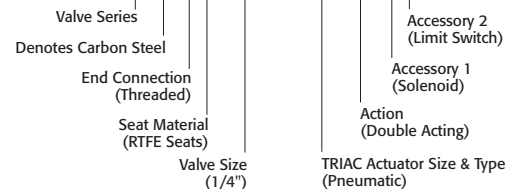
| SIZE | MODEL |
|--------|-------------------|
| 1/4" | 55-TX-025/TR1D-XX |
| 3/8" | 55-TX-038/TR1D-XX |
| 1/2" | 55-TX-050/TR1D-XX |
| 3/4" | 55-TX-075/TR1D-XX |
| 1" | 55-TX-100/2R2D-XX |
| 1-1/4" | 55-TX-125/2R2D-XX |
| 1-1/2" | 55-TX-150/2R3D-XX |
| 2" | 55-TX-200/2R3D-XX |
| 2-1/2" | 55-TX-250/2R3D-XX |
| 3" | 55-TX-300/2R3D-XX |
| 4" | 55-TX-400/2R5D-XX |

SIZED FOR 60 psi AIR SUPPLY

| SIZE | MODEL |
|--------|-------------------|
| 1/4" | 55-TX-025/TR1D-XX |
| 3/8" | 55-TX-038/TR1D-XX |
| 1/2" | 55-TX-050/TR1D-XX |
| 3/4" | 55-TX-075/TR1D-XX |
| 1" | 55-TX-100/2R2D-XX |
| 1-1/4" | 55-TX-125/2R3D-XX |
| 1-1/2" | 55-TX-150/2R3D-XX |
| 2" | 55-TX-200/2R3D-XX |
| 2-1/2" | 55-TX-250/2R3D-XX |
| 3" | 55-TX-300/2R4D-XX |
| 4" | 55-TX-400/2R6D-XX |

SAMPLE PART

55C-TX-025/2R2D-XX



OPTIONS

| DESCRIPTION | PART NO. SUFFIX | DESCRIPTION | PART NO. SUFFIX |
|-----------------|-----------------|------------------------------|-----------------|
| NEMA 4 Solenoid | (A) | NEMA 4 Limit Switch (2) spdt | (A) |
| NEMA 7 Solenoid | (B) | NEMA 7 Limit Switch (2) spdt | (B) |

Other options available - call for details
See valve part number matrix for complete part number and options



Triac Division
11363 Deerfield Rd.
Cincinnati, Ohio 45242
PHONE (513) 247-5465
FAX (513) 247-5462
e-mail: sales@a-tcontrols.com
www.a-tcontrols.com