



# Pneumatic Double Acting

## Automated Ball Valve Package

### Series 77 Sanitary End 3-Piece Ball Valve

Full Port Valve

800/1000 psi WOG (by size)

Available 1/2" – 4"

316L Body, Ball & Stem

PTFE Seats

Sanitary or Tube OD Ends

Cavity Filled or

Non-Cavity Filled

#### STANDARDS

ASME BPE-1997  
 ISO 5211/1, 5209, 5752, 7/1, 261  
 MSS SP25  
 BS 5351



#### DIMENSIONS (IN) NON-CAVITY FILLED

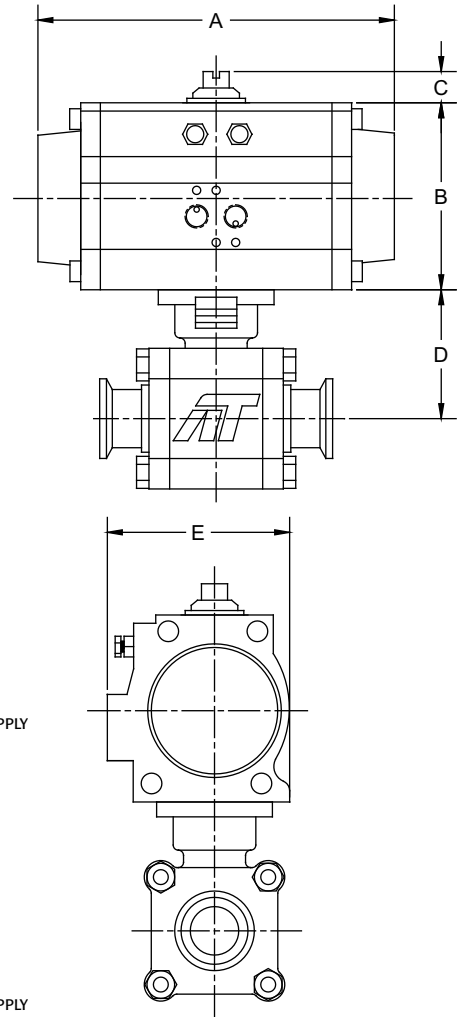
VALVE SIZE	A	B	C	D	E
1/2"	5.98	2.76	0.79	1.66	2.58
3/4"	7.95	3.43	0.79	1.89	3.29
1"	7.95	3.43	0.79	2.23	3.29
1-1/2"	9.29	4.49	0.79	3.05	4.41
2"	9.29	4.49	0.79	3.35	4.41
2-1/2"	9.29	4.49	0.79	4.28	4.41
3"	10.87	4.88	0.79	4.63	4.82
4"	11.46	5.28	0.79	5.22	5.20

DIMENSIONS SHOWN ARE FOR ASSEMBLIES SIZED FOR 80 PSI SUPPLY

#### CAVITY FILLED

VALVE SIZE	A	B	C	D	E	VALVE Cv
1/2"	7.95	3.43	0.79	1.66	3.29	10
3/4"	9.29	4.49	0.79	1.89	4.41	30
1"	9.29	4.49	0.79	2.23	4.41	65
1-1/2"	9.29	4.49	0.79	3.05	4.41	200
2"	10.87	4.88	0.79	3.35	4.82	410
2-1/2"	13.90	6.18	0.79	4.28	6.04	600
3"	13.90	6.18	0.79	4.63	6.04	1050
4"	15.16	6.93	1.18	5.22	6.69	1900

DIMENSIONS SHOWN ARE FOR ASSEMBLIES SIZED FOR 80 PSI SUPPLY



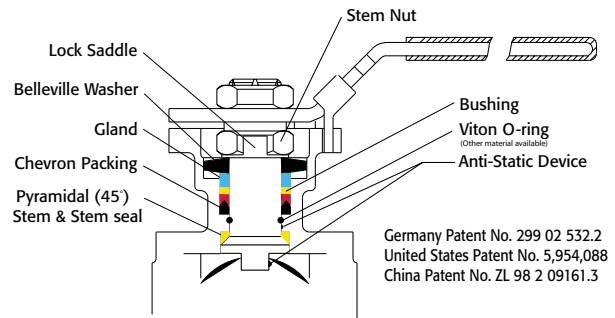
SERIES 77 Sanitary Ends

#### NON-CAVITY FILLED

SIZED FOR 80 psi AIR SUPPLY		SIZED FOR 60 psi AIR SUPPLY	
SIZE	MODEL	SIZE	MODEL
1/2"	77-C1-050/TR1D-XX	1/2"	77-C1-050/TR1D-XX
3/4"	77-C1-075/2R2D-XX	3/4"	77-C1-075/2R2D-XX
1"	77-C1-100/2R2D-XX	1"	77-C1-100/2R2D-XX
1-1/2"	77-C1-150/2R3D-XX	1-1/2"	77-C1-150/2R3D-XX
2"	77-C1-200/2R3D-XX	2"	77-C1-200/2R3D-XX
2-1/2"	77-C1-250/2R3D-XX	2-1/2"	77-C1-250/2R3D-XX
3"	77-C1-300/2R4D-XX	3"	77-C1-300/2R4D-XX
4"	77-C1-400/2R5D-XX	4"	77-C1-400/2R5D-XX

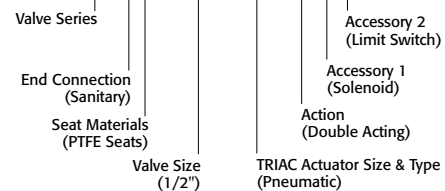
#### CAVITY FILLED

SIZED FOR 80 psi AIR SUPPLY		SIZED FOR 60 psi AIR SUPPLY	
SIZE	MODEL	SIZE	MODEL
1/2"	77-CF-050/2R2D-XX	1/2"	77-CF-050/2R2D-XX
3/4"	77-CF-075/2R3D-XX	3/4"	77-CF-075/2R3D-XX
1"	77-CF-100/2R3D-XX	1"	77-CF-100/2R3D-XX
1-1/2"	77-CF-150/2R3D-XX	1-1/2"	77-CF-150/2R3D-XX
2"	77-CF-200/2R4D-XX	2"	77-CF-200/2R4D-XX
2-1/2"	77-CF-250/2R6D-XX	2-1/2"	77-CF-250/2R6D-XX
3"	77-CF-300/2R6D-XX	3"	77-CF-300/2R6D-XX
4"	77-CF-400/2R7D-XX	4"	77-CF-400/2R7D-XX



#### SAMPLE PART #

### 77-C1-050/2R2D-XX



#### OPTIONS

DESCRIPTION	PART NO. SUFFIX	DESCRIPTION	PART NO. SUFFIX
NEMA 4 Solenoid	(A)	NEMA 4 Limit Switch (2) spdt	(A)
NEMA 7 Solenoid	(B)	NEMA 7 Limit Switch (2) spdt	(B)

Other options available - call for details. Actuators are sized based on clean/clear fluids. See valve part number matrix for complete part number and options

050111-77DA



Triac Division  
 11363 Deerfield Rd.  
 Cincinnati, Ohio 45242  
 PHONE (513) 247-5465  
 FAX (513) 247-5462  
 e-mail: sales@a-tcontrols.com  
 www.a-tcontrols.com