



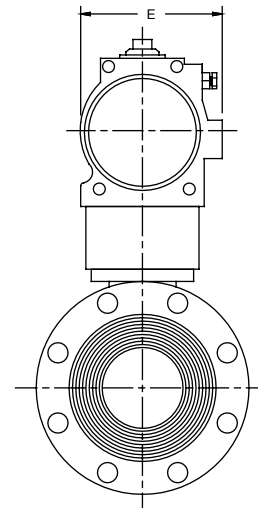
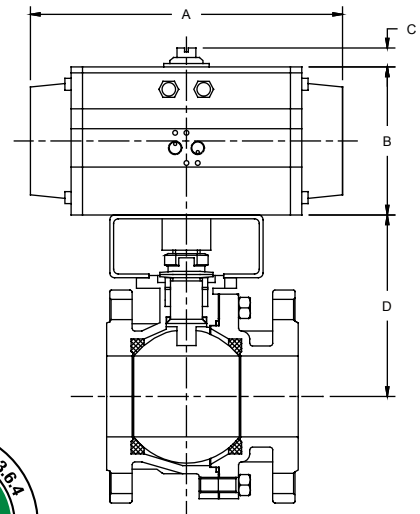
**Pneumatic  
Double Acting  
Automated  
Ball Valve Package**  
Series 90/93  
ANSI 150#  
Flanged Ball Valve

Full Port Valve  
ANSI Class 150  
Available 1/2" – 12"  
316SS or WCB Body  
316SS Ball & Stem  
Belleville Washers  
Chevron Packing  
RTFE Seats Standard

For 10" and 12", call factory

**STANDARDS**

Design	ANSI B16.34
Face to Face	ANSI B16.10
Flange Dimensions	ANSI B16.5
Pipeline Valves	API 6D
Pressure Testing	API 598
Mounting Pad	ISO 5211
Marking System for Valves	MSS SP-25
Material Certification	EN 10204
Quality Assurance	ISO 9001



**DIMENSIONS (IN)**

VALVE SIZE	A	B	C	D	E	VALVE Cv
1/2"	5.98	2.76	0.79	2.91	2.58	15
3/4"	5.98	2.76	0.79	3.21	2.58	45
1"	7.95	3.43	0.79	3.52	3.29	85
1-1/2"	9.29	4.49	0.79	5.04	4.41	275
2"	9.29	4.49	0.79	5.37	4.41	460
2-1/2"	10.87	4.88	0.79	5.80	4.82	700
3"	11.46	5.28	0.79	6.85	5.20	1100
4"	13.90	6.18	0.79	7.44	6.04	2200
6"	20.95	8.31	1.18	9.96	7.64	5150
8"	24.37	10.12	1.18	12.21	9.29	10000

DIMENSIONS SHOWN ARE FOR ASSEMBLIES SIZED FOR 80 PSI SUPPLY

**SERIES 90/93 150# Flanged**

**SIZED FOR  
80 psi AIR SUPPLY**

SIZE	MODEL
1/2"	90-F1-050/TR1D-XX
3/4"	90-F1-075/TR1D-XX
1"	90-F1-100/2R2D-XX
1-1/2"	90-F1-150/2R3D-XX
2"	90-F1-200/2R3D-XX
2-1/2"	90-F1-250/2R4D-XX
3"	90-F1-300/2R5D-XX
4"	90-F1-400/2R6D-XX
6"	93-F1-600/2R8D-XX
8"	93-F1-800/2R0D-XX

**SIZED FOR  
60 psi AIR SUPPLY**

SIZE	MODEL
1/2"	90-F1-050/TR1D-XX
3/4"	90-F1-075/2R2D-XX
1"	90-F1-100/2R2D-XX
1-1/2"	90-F1-150/2R3D-XX
2"	90-F1-200/2R3D-XX
2-1/2"	90-F1-250/2R5D-XX
3"	90-F1-300/2R6D-XX
4"	90-F1-400/2R6D-XX
6"	93-F1-600/2R9D-XX
8"	93-F1-800/2RAD-XX

Series 90 denotes investment cast / 93 sand cast

**OPTIONS**

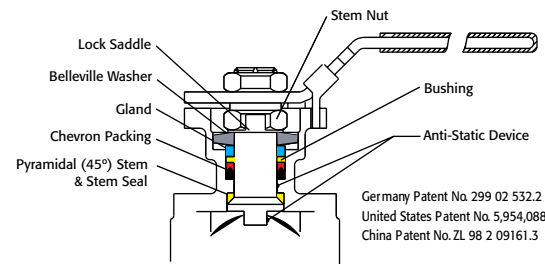
DESCRIPTION	PART NO. SUFFIX	DESCRIPTION	PART NO. SUFFIX
NEMA 4 Solenoid	(A)	NEMA 4 Limit Switch (2) spdt	(A)
NEMA 7 Solenoid	(B)	NEMA 7 Limit Switch (2) spdt	(B)

Other options available - call for details

Actuators are sized based on clean/clear fluid at full rated pressure of valves.

See valve part number matrix for complete part number and options.

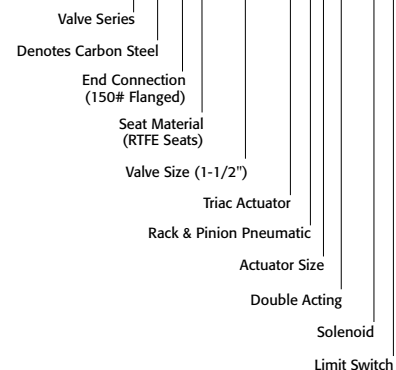
TA-Luft certification applies to Series 90 only  
1106-90DA



Germany Patent No. 299 02 532.2  
United States Patent No. 5,954,088  
China Patent No. ZL 98 2 09161.3

**SAMPLE PART #**

**90C-F1-150/2R3D-XX**



Triac Division  
11363 Deerfield Rd.  
Cincinnati, Ohio 45242

PHONE (513) 247-5465  
FAX (513) 247-5462  
e-mail: sales@a-tcontrols.com  
www.a-tcontrols.com