



Spring Return

Automated Ball Valve Package

Series 88
3-Piece Ball Valve



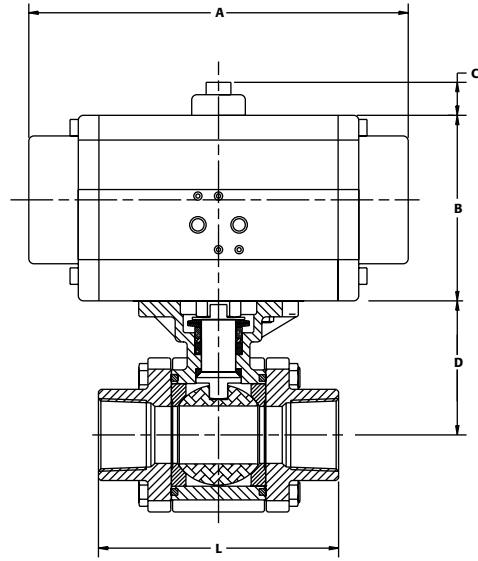
Firesafe
Direct Mount
Full Port Valve

1500 & 2000 psi
Available 1/4"– 4"
316SS or WCB Body
316SS Ball & Stem
Bellville Washers, Double
Chevron Packing, RTFE
Seats Standard
Threaded, SW or BW

**API 607 - 4th Edition
CERTIFIED**



Direct Mount
Firesafe tested to API-607



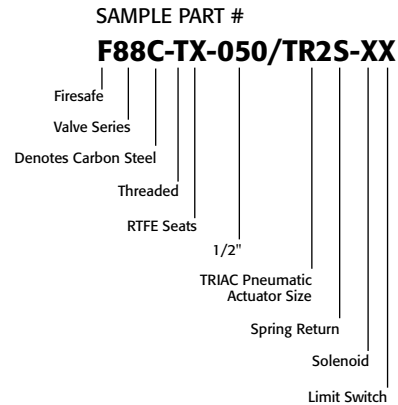
VALVE SIZE	A	B	C	D	L	VALVE Cv
1/4"	8.39	2.68	0.79	1.66	2.85	7
3/8"	8.39	2.68	0.79	1.66	2.85	9
1/2"	7.56	3.39	0.79	1.66	2.85	12
3/4"	8.94	4.45	0.79	1.83	3.36	32
1"	8.94	4.45	0.79	2.32	4.14	56
1-1/4"	8.94	4.45	0.79	2.46	4.35	85
1-1/2"	8.94	4.45	0.79	3.11	4.97	125
2"	10.39	4.88	0.79	3.42	5.61	240
2-1/2"	11.50	5.26	0.79	4.26	7.26	380
3"	13.23	6.18	0.79	4.63	8.07	557
4"	13.23	6.18	0.79	5.26	9.45	835

SERIES F88 3 Piece

Firesafe

SIZED FOR 80 psi AIR SUPPLY	
SIZE	MODEL
1/4"	F88-TX-025/TR1S-XX
3/8"	F88-TX-038/TR1S-XX
1/2"	F88-TX-050/TR2S-XX
3/4"	F88-TX-075/TR3S-XX
1"	F88-TX-100/TR3S-XX
1-1/4"	F88-TX-125/TR3S-XX
1-1/2"	F88-TX-150/TR3S-XX
2"	F88-TX-200/TR4S-XX
2-1/2"	F88-TX-250/TR5S-XX
3"	F88-TX-300/TR6S-XX
4"	F88-TX-400/TR6S-XX

SIZED FOR 60 psi AIR SUPPLY	
SIZE	MODEL
1/4"	F88-TX-025/TR1S-XX
3/8"	F88-TX-038/TR1S-XX
1/2"	F88-TX-050/TR2S-XX
3/4"	F88-TX-075/TR3S-XX
1"	F88-TX-100/TR3S-XX
1-1/4"	F88-TX-125/TR3S-XX
1-1/2"	F88-TX-150/TR4S-XX
2"	F88-TX-200/TR4S-XX
2-1/2"	F88-TX-250/TR6S-XX
3"	F88-TX-300/TR6S-XX
4"	F88-TX-400/TR6S-XX



OPTIONS

DESCRIPTION	PART NO. SUFFIX	DESCRIPTION	PART NO. SUFFIX
NEMA 4 Solenoid	(A)	NEMA 4 Limit Switch (2) spdt	(A)
NEMA 7 Solenoid	(B)	NEMA 7 Limit Switch (2) spdt	(B)

Other options available - call for details

Actuators are sized based on clean/clear fluid at full rated pressure of valves.

See valve part number matrix for complete part number and options.

0600-F88SR



Division of A-T Controls (513) 247-5465
11363 Deerfield Rd. FAX (513) 247-5462
Cincinnati, Ohio 45242 e-mail: sales@a-tcontrols.com

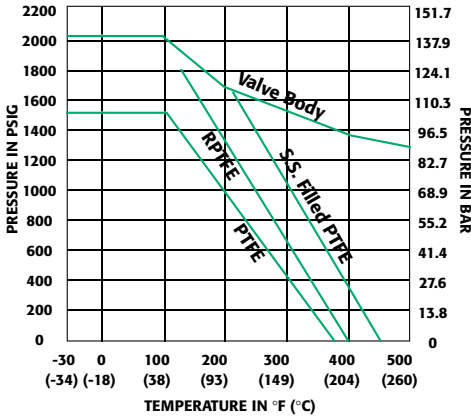
Series F88

Heavy Duty, Full Port 1500 & 2000 psi wog 3-Piece Ball Valve 1/4" to 4" ISO 5211 Direct Mount

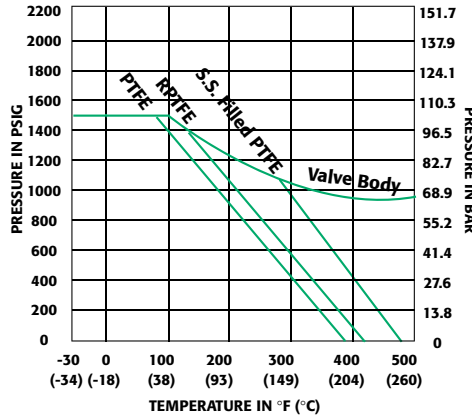
API 607 - 4th Edition
CERTIFIED

"Firesafe"

Pressure vs. Temperature Chart
for Valve 1/4" to 1"



Pressure vs. Temperature Chart
for Valve 1-1/4" to 4"



NOTE: Dotted line shows the rating for valve body. Solid line shows the rating for valve seat. Both ratings need to be consulted when determining the limitation of the valve for specific application.

MATERIALS LIST

NO.	PART NAME	QTY.	MATERIAL	
			Stainless Steel	Carbon Steel
1	Body	1	CF8M	A216 GR. WCB
2	End Cap	2	CF8M	A216 GR. WCB
3	Ball	1	SS316	SS316
4	Seat	2	PTFE/RPTFE	PTFE/RPTFE
5	Joint Gasket	2	Graphite	Graphite
6	Thrust Washer	1	RTFE/Graphite	RTFE/Graphite
7	Stem	1	SS316	SS316
8	Gland Packing	2	Graphite	Graphite
9	Gland	1	SS304	SS304
10	Stop Washer	1	SS304	SS304
11	Stem Nut	2	SS304	SS304
12	Handle	1	SS304	SS304
13	Handle Cover	1	Plastic	Plastic
14	Stem Washer	1	SS304	SS304
15	Bolt	*	SS304	SS304
16	Bolt Nut	*	SS304	SS304
17	Belleville Washer	2	SS301	SS301
18	Stop Pin	1	SS304	SS304
19	Stop Nut	1	SS304	SS304
20	Bushing	1	15% RTFE	15% RTFE
21	Locking Device	1	SS304	SS304

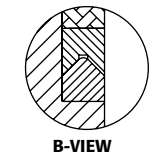
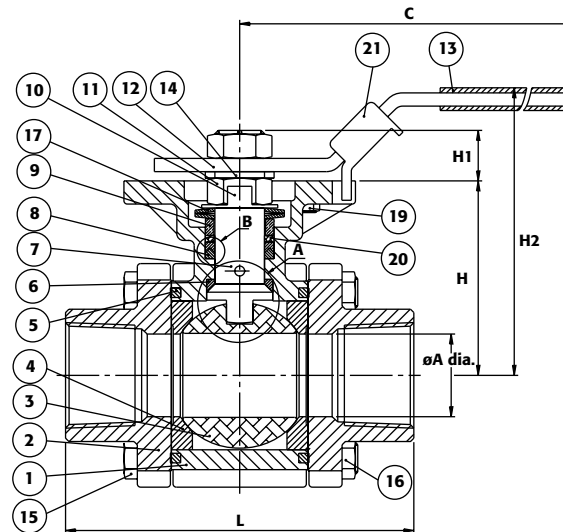
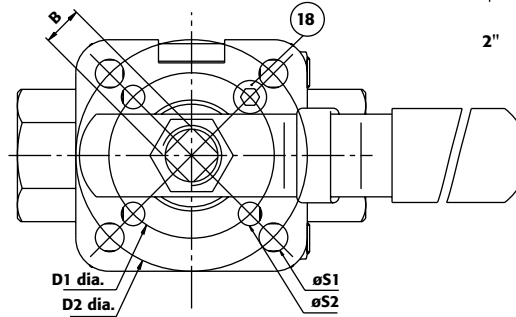
* 1/2" - 1-1/2" - 4 pcs.

* 2" - 6 pcs.

NOTE: Materials designated in the material list are our standard materials. Other options are available for higher pressure and temperature rating (see pressure vs. temperature chart for different seat options).

DIMENSION (IN)

SIZE	ØA	B	C	D1	D2	H	H1	H2	ØS1	ØS2	L	ISO5211
1/4"	0.59	0.354	5.5	1.654	1.969	1.66	0.28	2.9	0.280	0.280	2.85	F04/F05
3/8"	0.59	0.354	5.5	1.654	1.969	1.66	0.28	2.9	0.280	0.280	2.85	F04/F05
1/2"	0.59	0.354	5.5	1.654	1.969	1.66	0.28	2.9	0.280	0.280	2.85	F04/F05
3/4"	0.79	0.354	5.5	1.969	2.756	1.83	0.37	3.1	0.280	0.280	3.36	F05/F07
1"	1.00	0.433	6.5	1.969	2.756	2.32	0.56	3.8	0.280	0.280	4.15	F05/F07
1-1/4"	1.26	0.433	6.5	1.969	2.756	2.46	0.56	3.9	0.280	0.280	4.37	F05/F07
1-1/2"	1.50	0.551	7.3	1.969	2.756	3.11	0.64	5.1	0.280	0.280	5.01	F05/F07
2"	1.97	0.551	7.3	1.969	2.756	3.42	0.64	2.2	0.295	0.295	5.62	F05/F07
2-1/2"	2.56	0.669	10.2	2.756	4.016	4.28	0.82	6.6	0.350	0.350	7.28	F07/F10
3"	3.15	0.669	10.2	2.756	4.016	4.63	0.86	7.0	0.350	0.350	8.07	F07/F10
4"	3.94	0.669	12.2	2.756	4.016	5.26	0.82	7.6	0.395	0.395	9.45	F07/F10



Pyramidal Stem & Anti-Static Device



Division of A-T Controls (513) 247-5465
11363 Deerfield Rd. FAX (513) 247-5462
Cincinnati, Ohio 45242 e-mail: sales@a-tcontrols.com