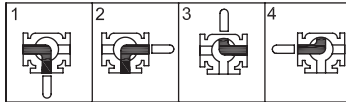


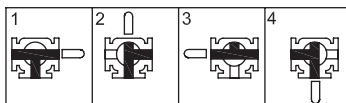


The high quality investment casting gives this 3-way valve durability. Available for mixing and diverting services (L or T port), it provides for operation where two valves were previously necessary. The ISO 5211 actuator mounting pad allows for easy automation; pneumatic or electric. RTFE seats are standard but others are available upon request. Call us for details.

Flow Patterns for L-Port



Flow Patterns for T-Port



VALVE SIZE	VALVE Cv "T"	VALVE Cv "L"
1/4"	7	5
3/8"	7	5
1/2"	10	5
3/4"	27	10
1"	48	24
1-1/4"	70	36
1-1/2"	98	55
2"	198	80

Easy to Automate!

See automated data sheets for pre-sized assemblies



Pneumatic



Electric



**Series 38
3-Way
Ball Valve
Threaded**

Sizes 1/4" – 2"

Available in 316SS

Threaded ends only

Reduced port design

"L" or "T" port option

Blowout proof stem

ISO5211 actuator mounting pad

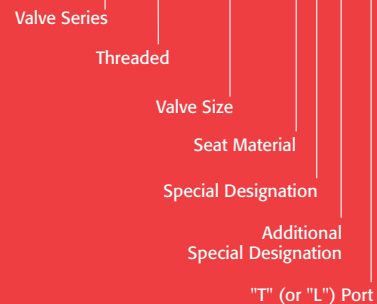
Locking handle standard

4 seat design

**HOW TO ORDER
MANUAL VALVES**

SAMPLE PART #

38-TH-0025-XXX-T



See part number matrix for itemized options



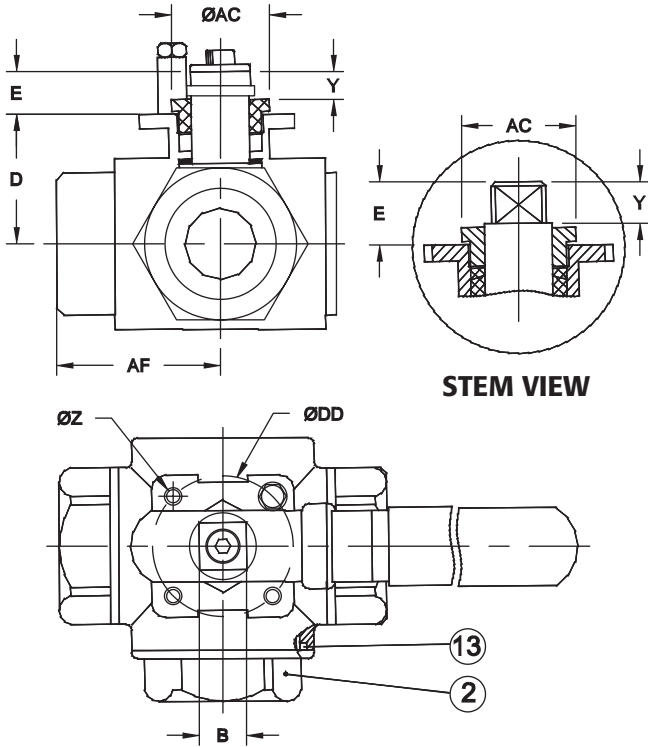
Triac Division
11363 Deerfield Rd.
Cincinnati, Ohio 45242

PHONE (513) 247-5465
FAX (513) 247-5462
e-mail: sales@a-tcontrols.com
www.a-tcontrols.com

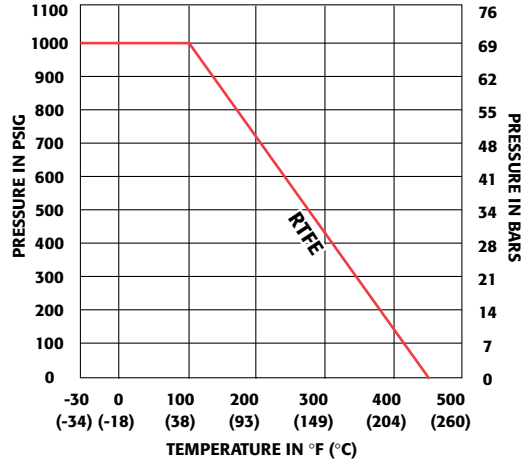
Series 38

Three-Way Threaded Ball Valve Reduced Port, L or T Option

1000 psi WOG
1/4" to 2"



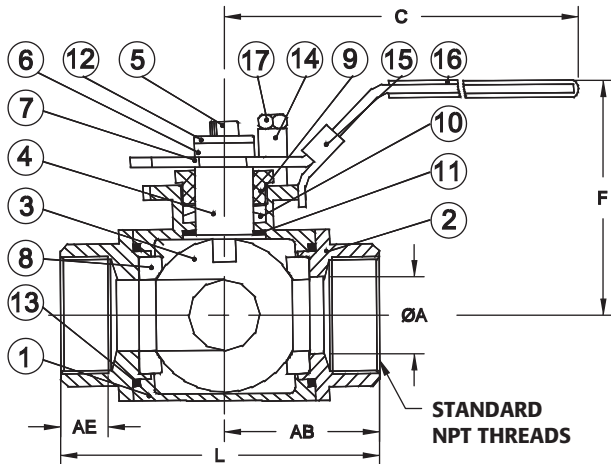
Pressure vs. Temperature Chart
for Valve 1/4" to 2"



Break Away Torque for RTFE Seats	
SIZE	IN-LBS.
1/4"	65
3/8"	65
1/2"	90
3/4"	118
1"	200
1-1/4"	315
1-1/2"	440
2"	528

MATERIALS LIST

NO.	PART NAME	MATERIAL	QTY.
1	Body	CF8M	1
2	End Cap	CF8M	3
3	Ball	SS316	1
4	Stem	SS316	1
5	Stem Nut	SS304	1
6	Stem Spacer	SS304	1
7	Handle	SS304	1
8	Seat	RTFE	4
9	Gland Nut	SS304	1
10	Stem Packing	PTFE	2
11	Thrust Washer	RTFE	1
12	Stem Disc	SS304	1
13	Joint Gasket	PTFE	3
14	Spacer	SS304	1
15	Locking Device	SS304	1
16	Handle Sleeve	Vinyl	1
17	Stop Bolt	SS304	1



DIMENSION (IN)

SIZE	A	B	C	D	E	F	L	Y	Z	AB	AC	AE	AF	DD	ISO5211	(LBS)
1/4"	0.43	0.354	5.25	1.06	0.42	2.46	2.67	0.24	M5	1.34	0.75	0.61	1.40	1.654	F04	1.3
3/8"	0.43	0.354	5.25	1.06	0.42	2.46	2.67	0.24	M5	1.34	0.75	0.61	1.40	1.654	F04	1.3
1/2"	0.50	0.354	5.25	1.20	0.42	2.59	2.95	0.24	M5	1.48	0.75	0.68	1.47	1.654	F04	1.5
3/4"	0.63	0.433	7.03	1.45	0.55	3.34	3.39	0.24	M6	1.69	1.02	0.76	1.76	1.969	F05	2.4
1"	0.79	0.433	7.03	1.60	0.78	3.49	4.06	0.30	M6	2.03	1.02	0.85	2.02	1.969	F05	3.9
1-1/4"	0.98	0.433	8.26	1.85	0.92	3.30	4.53	0.30	M6	2.26	1.02	0.93	2.27	1.969	F05	5.3
1-1/2"	1.26	0.433	8.19	2.14	0.92	4.07	4.92	0.34	M8	2.46	1.02	0.92	2.47	2.756	F07	7.5
2"	1.50	0.551	9.05	2.48	1.00	4.39	5.75	0.34	M8	2.87	1.18	1.00	2.94	2.756	F07	12.0